



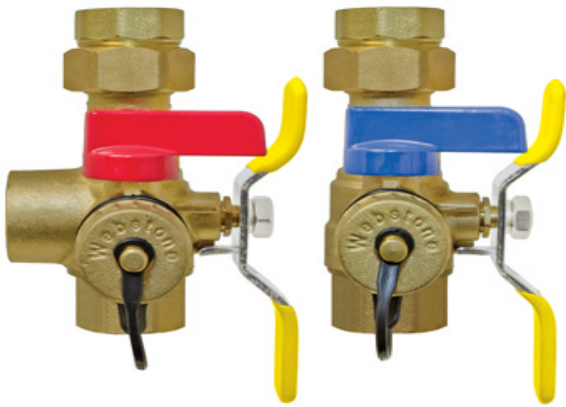
4444 Series

The Isolator E-X-P E2 Tankless Water Heater Service Valve Kit
 Hot & Cold Set of Full Port Forged Brass Ball Valves
 w/ Hi-Flow Hose Drains,
 Pressure Relief Valve Outlet & Adjustable Packing Glands

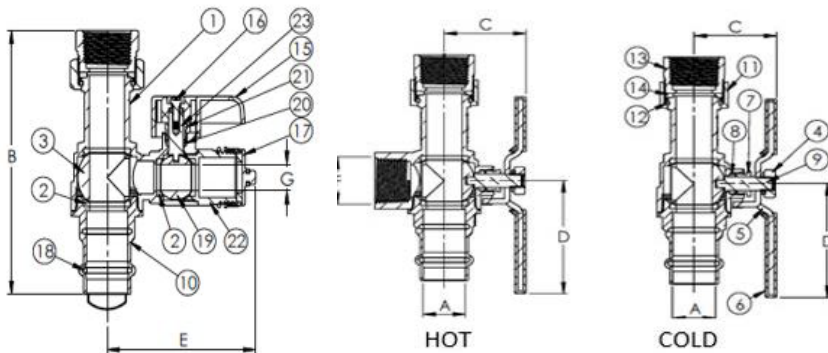


Patented Technology

ITEM#	Connection Type	pressure rating	SIZE (in)	Metric Pipe Size	CTN	CASE	A	B	C	D	E	F
H-44444	FIP Union x FIP	500 CWP	1	1	1	10	1.00	5.00	2.38	2.54	3.11	3/4 NPT



NO.	DESCRIPTION	MATERIAL
1	Body	Brass
2	Seats	PTFE
3	Ball	Brass HCP
4	Handle Nut	Stainless Steel
5	Wing Style "T" Handle	Steel CP
6	Handle Jacket	Vinyl
7	Packing Gland	Brass
8	Stem Seal	PTFE
9	Stem	Brass
10	End Cap	Brass
11	Union Nut	Brass
12	Retaining Ring	Stainless Steel
13	Union Fitting	Brass
14	Washer	EPDM
15	Drain Valve Handle	Enamel Coated Aluminum
16	Drain Valve Handle Screw	Brass
17	Cap & Strap	Brass w/ EPDM Washer & Strap
18	O-Ring	EPDM
19	Ball	Brass
20	Stem Seal	PTFE
21	Packing Gland	Brass
22	End Cap	Brass
23	Stem	Brass



Designed for residential or commercial use with potable water. This approved Webstone valve is actuated by a blowout proof stem and features an adjustable packing gland. Threaded ends comply with ANSI B1.20.1.