



## H-107xW Series

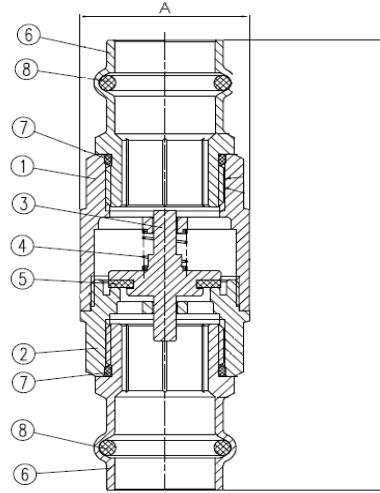
Forged DZR Brass In-Line Spring Check Valve  
Stainless Steel Spring  
Soft Seat



### Certifications

Certified to NSF/ANSI 61 & 372  
Lead-Free

NO.	DESCRIPTION	MATERIAL
1	Body	Lead-Free DZR Brass
2	End Cap	Lead-Free DZR Brass
3	Stem	Lead-Free DZR Brass
4	Spring	Stainless Steel
5	Seat	Rubber
6	Press Fitting	Lead-Free DZR Brass
7	O-Ring	EPDM
8	O-Ring	EPDM



Designed for residential, commercial, or industrial use with water, oil, or gas. Solder joint temperature ratings are per ASME B16.18 Annex A for 95-5 solder. Other solder materials have lower pressure/temperature limits. Do not silver braze or overheat valves when soldering. Threaded ends comply with ANSI B1.20.1.

ITEM#	Connection Type	SIZE (in)	Max Temp	Pressure Rating	A	B	Cv	Cracking Pressure
H-10741W	FIP	3/8	250°F Max	200 PSI CWP Max	1.24	1.90	2.4	1.45 PSI
H-10742W	FIP	1/2	250°F Max	200 PSI CWP Max	1.24	2.21	3.8	1.00 PSI
H-10743W	FIP	3/4	250°F Max	200 PSI CWP Max	1.48	2.31	6.6	0.75 PSI
H-10744W	FIP	1	250°F Max	200 PSI CWP Max	1.79	2.75	9.2	0.50 PSI
H-10745W	FIP	1 1/4	250°F Max	200 PSI CWP Max	2.31	3.00	14.9	0.40 PSI
H-10746W	FIP	1 1/2	250°F Max	200 PSI CWP Max	2.51	3.02	20.9	0.30 PSI
H-10747W	FIP	2	250°F Max	200 PSI CWP Max	3.15	3.33	34.5	0.15 PSI
H-10751W	SWT	3/8	250°F Max	200 PSI CWP Max	1.24	1.64	2.0	1.50 PSI
H-10752W	SWT	1/2	250°F Max	200 PSI CWP Max	1.24	1.87	2.8	1.00 PSI
H-10753W	SWT	3/4	250°F Max	200 PSI CWP Max	1.48	2.44	5.7	0.75 PSI
H-10754W	SWT	1	250°F Max	200 PSI CWP Max	1.79	2.93	8.7	0.50 PSI
H-10755W	SWT	1 1/4	250°F Max	200 PSI CWP Max	2.31	3.28	14.7	0.40 PSI
H-10756W	SWT	1 1/2	250°F Max	200 PSI CWP Max	2.51	3.58	20.5	0.30 PSI
H-10757W	SWT	2	250°F Max	200 PSI CWP Max	3.15	4.33	34.4	0.15 PSI
H-10782W	Press	1/2	250°F Max	200 PSI CWP Max	1.24	3.88	2.8	1.00 PSI
H-10783W	Press	3/4	250°F Max	200 PSI CWP Max	1.48	4.38	5.7	0.75 PSI
H-10784W	Press	1	250°F Max	200 PSI CWP Max	1.79	4.90	8.7	0.50 PSI
H-10785W	Press	1 1/4	250°F Max	200 PSI CWP Max	2.31	5.45	14.7	0.40 PSI
H-10786W	Press	1 1/2	250°F Max	200 PSI CWP Max	2.51	6.59	20.5	0.30 PSI
H-10787W	Press	2	250°F Max	200 PSI CWP Max	3.15	7.28	34.4	0.15 PSI