

**THIS SPACE FOR DESIGNER/ENGINEER APPROVAL**

Job/Customer _____	Date _____	Contractor _____
Model Specified _____	Qty _____	Approved By _____
Designer/Engineer _____	Date _____	Contractor's PO# _____
Submitted By _____	Date _____	Other _____

**Hydro-Core Manifolds**  
**Double Ball Drain**  
**600 WOG**  
**ISO 9001**



ITEM#	CTN CASE	RUN A	VALVE	DRAIN	UNION B	UNION C	HOSE D	E	F	G	H	I	J
<b>FIP</b>													
48354-0	1/6	1 1/4"	1	1/2	1	1	3/4	9	7 1/2	3 1/2	5 3/8	6 1/8	3 3/4
<b>SWT</b>													
58354-0	1/6	1 1/4"	1	1/2	1	1	3/4	9	7 1/2	3 1/2	5 1/4	6 1/8	3 3/4

NO	DESCRIPTION	MATERIAL
1	BODY	BRASS
2	UNION CAP	BRASS
3	SEAT	PTFE
4	BALL	BRASS HCP
5	STEM	BRASS
6	STEM SEAL	PTFE
7	PACKING GLAND	BRASS
8	LEVER HANDLE	STEEL CP
9	HANDLE JACKET	VINYL
10	HANDLE NUT	STEEL CP
11	SEAT	PTFE
12	BALL	BRASS HCP
13	STEM	BRASS
14	STEM SEAL	PTFE
15	PACKING GLAND	BRASS
16	HANDLE	ALUMINUM
17	HANDLE SCREW	BRASS
18	END CAP	BRASS
19	WASHER	EPDM
20	CAP AND STRAP	BRASS w/ EPDM Strap

**PATENTS PENDING**



TEMP	WOG
100	600
150	485
200	395
250	210
300	N/A
350	N/A
366	N/A



Quality and Commitment Since 1954

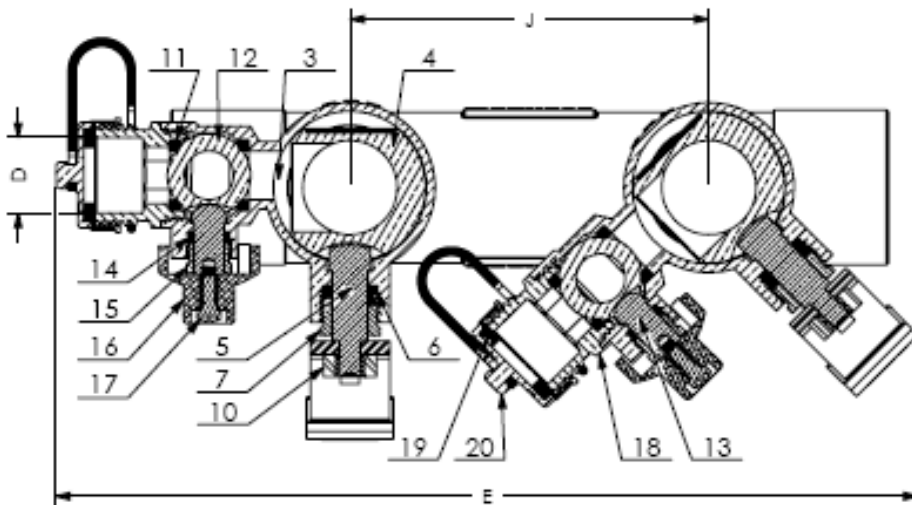
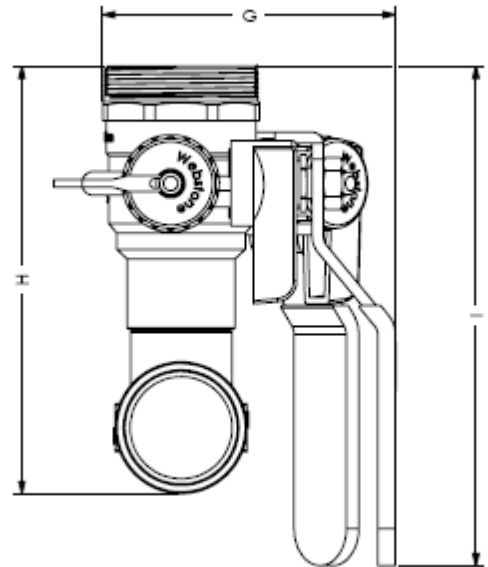
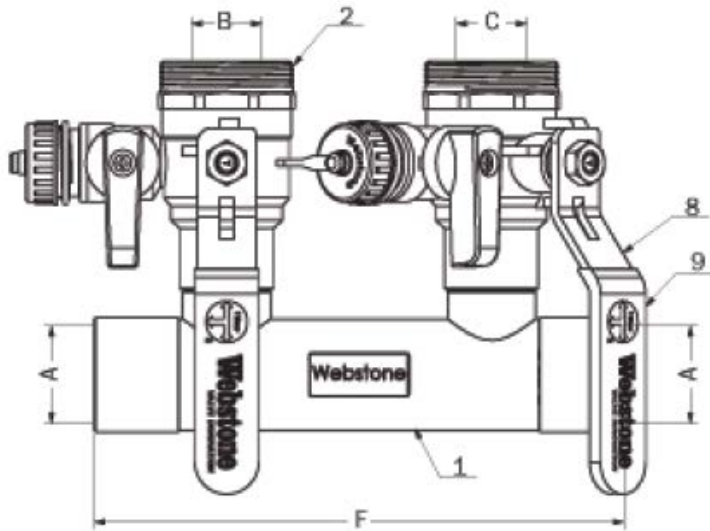
www.webstonevalves.com · P: (800) 225-9529 · F: (800) 336-5133

Webstone product specifications in U.S. customary units are approximate and are provided for reference only. Webstone reserves the right to change or modify product design, construction, specifications or materials without prior notice and without incurring any obligation to make such changes and modifications on Webstone products previously or subsequently sold.

Hydro-CoreDBDspec\_111913

**THIS SPACE FOR DESIGNER/ENGINEER APPROVAL**

Job/Customer _____	Date _____	Contractor _____
Model Specified _____	Qty _____	Approved By _____
Designer/Engineer _____	Date _____	Contractor's PO# _____
Submitted By _____	Date _____	Other _____



Specifications: Designed for residential, commercial or industrial use with water or a glycol mixture in a closed loop Hydronic system. This approved Webstone valve assembly design can be used in both near boiler piping applications as well as secondary circuit loops and is actuated by blowout proof stems and feature adjustable packing glands. Threaded ends comply with ANSI B1.20.1. Solder joint temperature ratings are per ASME B16.18 Annex A for 95-5 solder. Other solder materials have lower pressure/temperature limits. Do not silver braze or overheat valves when soldering.

**Webstone**  
VALVE INNOVATION

Quality and Commitment Since 1954

www.webstonevalves.com · P: (800) 225-9529 · F: (800) 336-5133

Webstone product specifications in U.S. customary units are approximate and are provided for reference only. Webstone reserves the right to change or modify product design, construction, specifications or materials without prior notice and without incurring any obligation to make such changes and modifications on Webstone products previously or subsequently sold.

Hydro-CoreDBDspec\_111913