



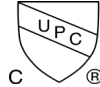
H-x810W Series

Forged DZR Brass Union

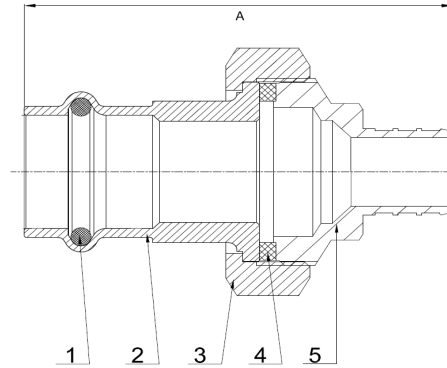
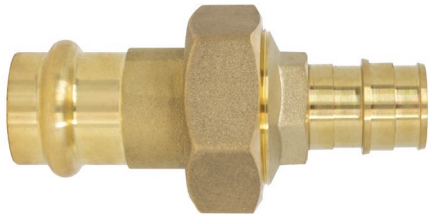


Certifications

Certified to NSF/ANSI 61 & 372, NSF/ANSI 14, IGC 319, PS117
Lead-Free



NO.	DESCRIPTION	MATERIAL
1	O-Ring	EPDM
2	Press Fitting	Lead-Free DZR Brass
3	Union Nut	Brass
4	Gasket	EPDM
5	PEX Fitting	Lead-Free DZR Brass



Designed for residential, commercial or industrial use with water, oil, or glycol mix. PEX end dimensions comply with the referenced ASTM specification.

ITEM#	Connection Type	SIZE (in)	Max Temp	Pressure Rating	A
H-18102W	Press × F1807 PEX Union	1/2	180°F Max	250 PSI CWP Max	2.85
H-18103W	Press × F1807 PEX Union	3/4	180°F Max	250 PSI CWP Max	3.01
H-18104W	Press × F1807 PEX Union	1	180°F Max	250 PSI CWP Max	3.13
H-38102W	Press × F1960 PEX Union	1/2	180°F Max	250 PSI CWP Max	2.93
H-38103W	Press × F1960 PEX Union	3/4	180°F Max	250 PSI CWP Max	3.33
H-38104W	Press × F1960 PEX Union	1	180°F Max	250 PSI CWP Max	3.50