



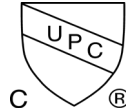
H-x682W Series

Forged DZR Brass Transition Elbow
w/ 3/4" Copper Finned Tube Stiffener
For use with Baseboard Radiators

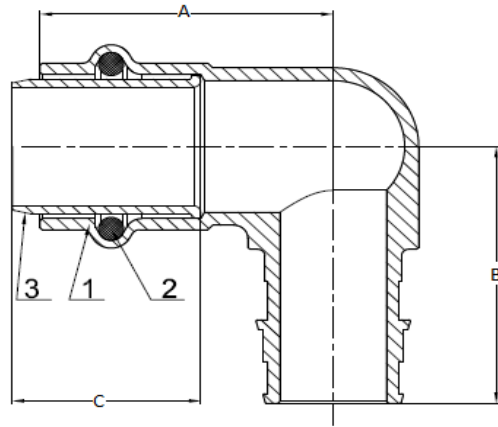
Certifications

Certified to NSF/ANSI 61 & 372 NSF/ANSI 14 IGC 319, PS117,
Applies to elbow H-3684xW

Lead-Free



NO.	DESCRIPTION	MATERIAL
1	Body	Lead Free DZR Brass
2	O-Ring	EPDM
3	Stiffener	Lead Free DZR Brass



Designed for residential, commercial or industrial use. PEX end dimensions comply with the referenced ASTM specification.

ITEM#	Connection Type	SIZE (in)	Pressure Rating	Max Temp	A	B	C
H-36823W	Press × ASTM F1960 PEX	3/4	250 PSI CWP Max	250°F Max	1.67	1.58	1.06
H-36823W-R	Press × ASTM F1960 PEX	3/4 × 1/2	250 PSI CWP Max	250°F Max	1.55	1.34	1.06
H-16823W	Press × ASTM F1807 PEX	3/4	250 PSI CWP Max	250°F Max	1.67	1.21	1.06
H-16823W-R	Press × ASTM F1807 PEX	3/4 × 1/2	250 PSI CWP Max	250°F Max	1.55	1.22	1.06

