



## H-x371W Series

Pro-Pal T-Union Ball  
Full Port Forged DZR Brass Ball Valve  
w/ Union Tee  
& Dual Stem Seal Design

### Certifications

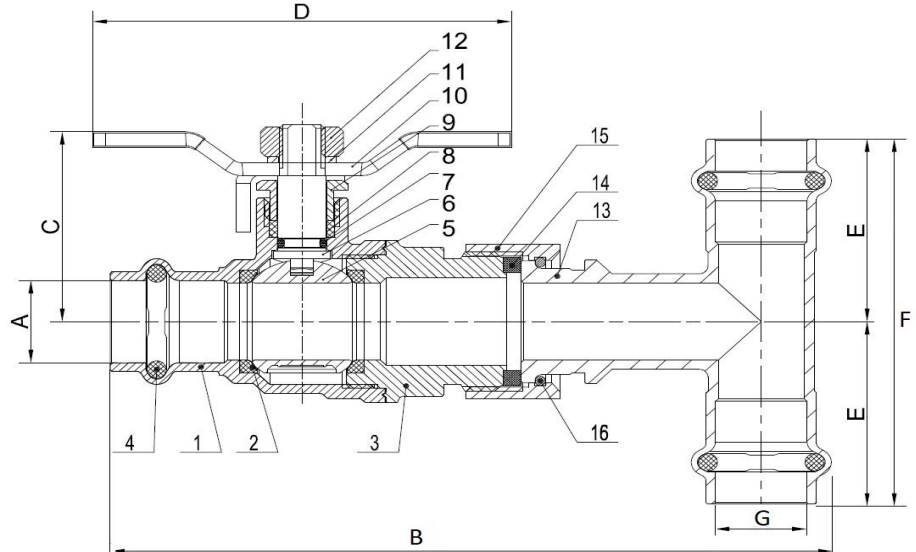
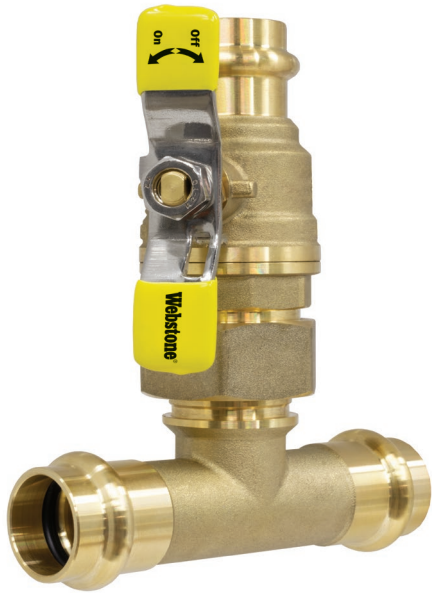
Certified to NSF/ANSI 61 & 372  
Lead-Free



**T-UNION BALL**

**PRO-CONNECT PRESS**

NO.	DESCRIPTION	MATERIAL
1	Body	Lead-Free DZR Brass
2	Seat	PTFE
3	Cap	Lead-Free DZR Brass
4	O-Ring	EPDM
5	Ball	Brass HCP
6	Stem	Brass
7	O-Ring	EPDM
8	Packing	PTFE
9	Packing Gland	Brass
10	Handle	Stainless Steel
11	Lock Washer	Stainless Steel
12	Nut	Stainless Steel
13	Tee Fitting	Lead-Free DZR Brass
14	Gasket	EPDM
15	Union Nut	Brass
16	Retainer	Stainless Steel



Designed for residential, commercial, or industrial use with water, oil, or glycol mix. This approved Webstone valve is actuated by a blowout proof stem.

ITEM#	Connection Type	SIZE (in)	Max Temp	Pressure Rating	A	B	C	D	E	F	G
H-83712W	Press Valve × Press Run	1/2	200°F Max	250 PSI CWP Max	0.50	4.47	1.52	3.15	1.67	3.35	0.50
H-83713W	Press Valve × Press Run	3/4	200°F Max	250 PSI CWP Max	0.75	5.24	1.69	3.15	1.99	3.98	0.75
H-83713W-T114	Press Valve × Press Run	3/4 × 1 1/4	200°F Max	250 PSI CWP Max	0.75	5.87	1.69	3.15	2.64	5.28	1.25
H-83714W	Press Valve × Press Run	1	200°F Max	250 PSI CWP Max	1.00	5.95	2.01	3.94	2.22	4.45	1.00
H-83714W-T112	Press Valve × Press Run	1 × 1 1/2	200°F Max	250 PSI CWP Max	1.00	6.62	2.11	3.94	2.76	5.52	1.50
H-83714W-T114	Press Valve × Press Run	1 × 1 1/4	200°F Max	250 PSI CWP Max	1.00	6.32	2.11	3.94	2.76	5.52	1.25
H-83715W-T112	Press Valve × Press Run	1 1/4 × 1 1/2	200°F Max	250 PSI CWP Max	1.25	7.19	2.86	5.26	2.84	5.67	1.50