



H-x271W Series

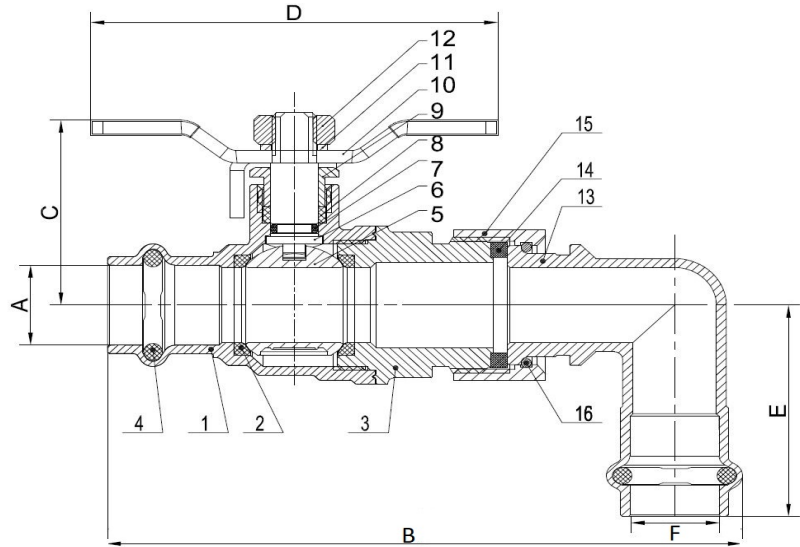
Pro-Pal L-Union Ball
Full Port Forged DZR Brass Ball Valve
w/ 90° Union Elbow
& Dual Stem Seal Design

Certifications

Certified to NSF/ANSI 61 & 372
Lead-Free



NO.	DESCRIPTION	MATERIAL
1	Body	Lead-Free DZR Brass
2	Seat	PTFE
3	Cap	Lead-Free DZR Brass
4	O-Ring	EPDM
5	Ball	Brass HCP
6	Stem	Brass
7	O-Ring	EPDM
8	Packing	PTFE
9	Packing Gland	Brass
10	Handle	Stainless Steel
11	Lock Washer	Stainless Steel
12	Nut	Stainless Steel
13	Elbow Fitting	Lead-Free DZR Brass
14	Gasket	EPDM
15	Union Nut	Brass
16	Retainer	Stainless Steel



Designed for residential, commercial, or industrial use with water, oil, or glycol mix. This approved Webstone valve is actuated by a blowout proof stem.

ITEM#	Connection Type	SIZE (in)	Max Temp	Pressure Rating	A	B	C	D	E	F
H-82712W	Press	1/2	200°F Max	250 PSI CWP Max	0.50	4.47	1.52	3.15	1.67	0.50
H-82713W	Press	3/4	200°F Max	250 PSI CWP Max	0.75	5.24	1.69	3.15	1.99	0.75
H-82714W	Press	1	200°F Max	250 PSI CWP Max	1.00	5.95	2.01	3.94	2.23	1.00