



H-x267W Series

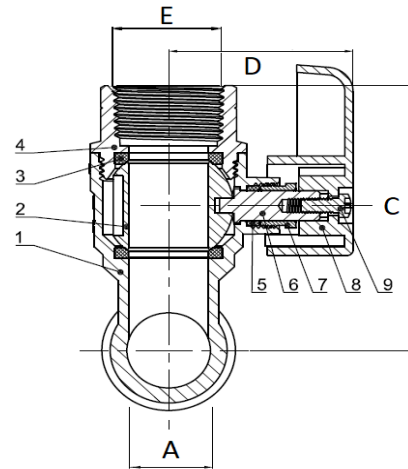
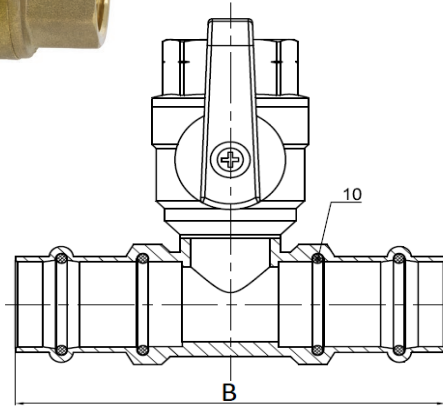
Pro-Pal T-Valve
Full Port Forged DZR Brass Ball Valve
w/ Integrated Tee Fitting,
Adjustable Packing Gland,
& Reversible Handle

Certifications

Certified to NSF/ANSI 61 & 372
Lead-Free



NO.	DESCRIPTION	MATERIAL
1	Body	Lead-Free DZR Brass
2	Ball	Brass HCP
3	Seat	PTFE
4	Cap	Lead-Free DZR Brass
5	Packing	PTFE
6	Stem	Lead-Free DZR Brass
7	Packing Gland	Brass
8	Handle	Aluminum
9	Screw	Stainless steel
10	O-ring	EPDM



Designed for residential or light commercial use with water, oil, or glycol mix. It is actuated by a blowout proof stem and features an adjustable packing gland. Threaded ends comply with ANSI B1.20.1.

ITEM#	Connection Type	SIZE (in)	Max Temp	Pressure Rating	A	B	C	D	E
H-82672W	FIP Valve × Press Run	1/2	250°F Max	250 PSI CWP Max	0.50	3.35	2.30	1.58	0.5 NPT
H-82673W	FIP Valve × Press Run	3/4	250°F Max	250 PSI CWP Max	0.75	4.06	2.78	1.74	0.75 NPT
H-82672W-T34	FIP Valve × Press Run	1/2 × 3/4	250°F Max	250 PSI CWP Max	0.75	4.06	2.70	1.74	0.5 NPT