

THIS SPACE FOR DESIGNER/ENGINEER APPROVAL

Job/Customer _____	Date _____	Contractor _____
Model Specified _____	Qty _____	Approved By _____
Designer/Engineer _____	Date _____	Contractor's PO# _____
Submitted by _____	Date _____	Other _____

4170 Series

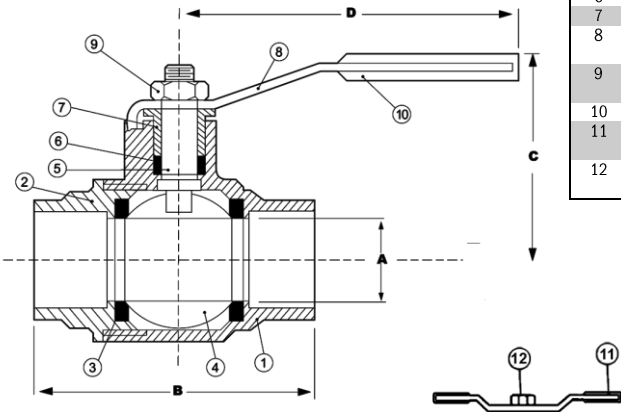
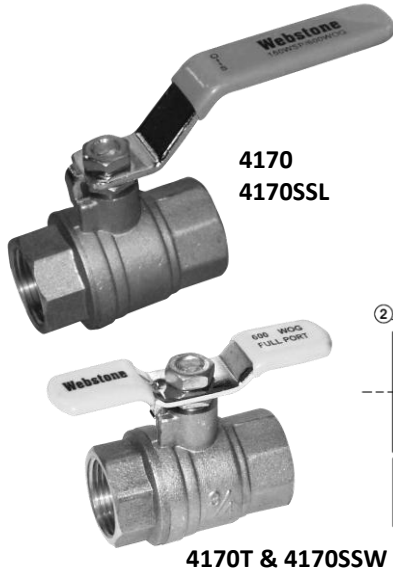
**Full Port Forged Brass Ball Valves
w/ Adjustable Packing Gland
IPS**

**600 WOG / 150 WSP (400 WOG for 2 1/2" - 4")
ISO 9001**

1/4" - 2" Standard brass products are certified to NSF/ANSI 61
1/4" - 2" Lead free products are certified to NSF/ANSI 61-G



Standard Brass Item#	Lead Free Item #	SIZE	CTN	CASE	A	B	C	D	Cv
w/ CHROME PLATED LEVER HANDLE									
41700	41700W	1/4	10	100	1/4	1 3/4	1 1/2	3 9/16	7.7
41701	41701w	3/8	10	100	3/8	1 3/4	1 11/16	3 9/16	7.7
41702	41702W	1/2	10	80	1/2	2 1/8	1 11/16	3 9/16	14.7
41703	41703w	3/4	10	60	3/4	2 3/8	2 1/16	3 13/16	28.4
41704	41704W	1	6	36	1	2 7/8	2 3/8	4 1/2	56.0
41705	41705W	1 1/4	6	24	1 1/4	3 5/16	2 5/8	4 1/2	113.2
41706	41706W	1 1/2	2	16	1 1/2	3 11/16	3 1/16	5 1/2	161.8
41707	41707W	2	2	12	2	4 1/8	3 11/16	5 1/2	243.8
41708	41708W	2 1/2	1	6	2 1/2	5 5/16	4 9/16	8 5/8	267.3
41709	41709W	3	1	4	3	5 7/8	4 13/16	8 5/8	412.7
41710	41710W	4	1	2	4	7 1/16	5 7/16	9 5/8	550.2
w/ 304 STAINLESS STEEL HANDLE									
41702SSL	41702WSSL	1/2	10	80	1/2	2 1/8	1 11/16	3 9/16	14.7
41703SSL	41703WSSL	3/4	10	60	3/4	2 1/4	2 1/16	3 13/16	28.4
41704SSL	41704WSSL	1	6	36	1	2 7/8	2 3/8	4 1/2	56.0
41705SSL	41705WSSL	1 1/4	6	24	1 1/4	3 2/8	2 5/8	4 1/2	113.2
41706SSL	41706WSSL	1 1/2	2	16	1 1/2	3 5/8	3 1/16	5 1/2	161.8
41707SSL	41707WSSL	2	2	12	2	4 1/8	3 11/16	5 1/2	243.8
w/ WING STYLE "T" HANDLE*									
41702T	41702WT	1/2	10	80	1/2	2 1/2	1 13/16	2	14.7
41703T	41703WT	3/4	10	60	3/4	2 1/2	2 3/16	2	28.4
41704T	41704WT	1	6	36	1	2 7/8	2 11/16	2	56.0
w/ 304 STAINLESS STEEL WING STYLE "T" HANDLE									
41702SSW	41702WSSW	1/2	10	80	1/2	2 1/2	1 13/16	2	14.7
41703SSW	41703WSSW	3/4	10	60	3/4	2 1/2	2 3/16	2	28.4
41704SSW	41704WSSW	1	6	36	1	2 7/8	2 11/16	2	56.0



NO.	DESCRIPTION	MATERIAL
1	BODY	BRASS
2	END CAP	BRASS
3	SEAT	PTFE
4	BALL	BRASS HCP
5	STEM	BRASS
6	STEM SEAL	PTFE
7	PACKING GLAND	BRASS
8	LEVER HANDLE	STEEL CP (FOR 4170) STAINLESS STEEL (FOR 4170SSL)
9	HANDLE NUT	STEEL CP (FOR 4170) STAINLESS STEEL (FOR 4170SSL)
10	HANDLE JACKET	VINYL
11	WING STYLE "T" HANDLE	STAINLESS STEEL (FOR 4170SSW) STEEL CP (FOR 4170T)
12	HANDLE NUT	STAINLESS STEEL (FOR 4170SSW) STEEL CP (FOR 4170T)

TEMP °F	1/4" - 2" PSI	2 1/2" - 4" PSI
100	600	400
150	490	327
200	479	313
250	470	293
300	411	274
350	294	196
366	N/A	N/A

Specifications: Designed for residential, commercial or industrial use with water, oil or gas. This approved Webstone valve is actuated by a blowout proof stem and features an adjustable packing gland. Threaded ends comply with ANSI B1.20.1. *4170T valves are not manufactured in an ISO facility. CSA certification applies to valves 1/2" to 2".



Quality and Commitment Since 1954

www.webstonevalves.com P: (800) 225-9529 · F: (800) 336-5133

Webstone product specifications in U.S. customary units are approximate and are provided for reference only. Webstone reserves the right to change or modify product design, construction, specifications or materials without prior notice and without incurring any obligation to make such changes and modifications on Webstone products previously or subsequently sold.

THIS SPACE FOR DESIGNER/ENGINEER APPROVAL

Job/Customer _____	Date _____	Contractor _____
Model Specified _____	Qty _____	Approved By _____
Designer/Engineer _____	Date _____	Contractor's PO# _____
Submitted by _____	Date _____	Other _____

5170 Series

Full Port Forged Brass Ball Valves

w/ Adjustable Packing Gland

CxC

600 WOG / 150 WSP (400 WOG for 2 1/2" - 4")

ISO 9001

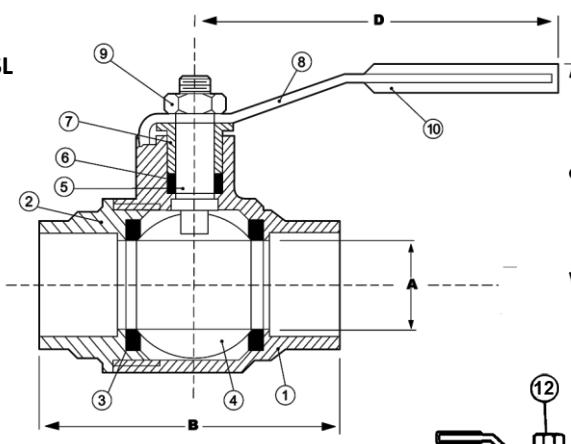
For Standard brass products are certified to NSF/ANSI 61*

Lead free products are certified to

NSF/ANSI 61-G*



STANDARD BRASS ITEM #	LEAD FREE ITEM #	SIZE	CTN	CASE	A	B	C	D	Cv
w/ CHROME PLATED LEVER HANDLE									
51702	51702W	1/2	10	80	1/2	2	1 5/8	3 1/2	14.7
51703	51703W	3/4	10	60	3/4	2 3/4	2	4	28.4
51704	51704W	1	6	36	1	3 3/8	2 3/8	4 1/2	56.0
51705	51705W	1 1/4	6	24	1 1/4	3 7/8	2 5/8	4 1/2	43.2
51706	51706W	1 1/2	2	24 (16 LF)	1 1/2	4 3/8	3 1/8	5 1/2	161.8
51707	51707W	2	2	12	2	5 3/8	3 3/8	5 1/2	243.8
51708	51708W	2 1/2	1	8	2 1/2	6 3/8	4 5/8	8 1/2	267.3
51709	51709W	3	1	3 (4 LF)	3	7 1/8	4 7/8	8 1/2	412.7
51710	51710W	4	1	2	4	9 1/4	6	9	567.8
w/ 304 STAINLESS STEEL HANDLE									
51702SSL	51702WSSL	1/2	10	80	1/2	2	1 5/8	3 1/2	14.7
51703SSL	51703WSSL	3/4	10	60	3/4	2 3/4	2	4	28.4
51704SSL	51704WSSL	1	6	36	1	3 3/8	2 3/8	4 1/2	56.0
51705SSL	51705WSSL	1 1/4	6	24	1 1/4	3 7/8	2 5/8	4 1/2	43.2
51706SSL	51706WSSL	1 1/2	2	24 (16 LF)	1 1/2	4 3/8	3 1/8	5 1/2	161.8
51707SSL	51707WSSL	2	2	12	2	5 3/8	3 3/8	5 1/2	243.8
w/ WING STYLE "T" HANDLE**									
51702T	51702WT	1/2	10	80	1/2	2 5/16	2 1/8	1 3/4	14.7
51703T	51703WT	3/4	10	60	3/4	2 7/8	2 1/4	1 3/4	28.4
51704T	51704WT	1	6	36	1	3 1/2	2 5/8	1 3/4	56.0
w/ 304 STAINLESS STEEL WING STYLE "T" HANDLE									
51702SSW	51702WSSW	1/2	10	80	1/2	2 5/16	2 1/8	1 3/4	14.7
51703SSW	51703WSSW	3/4	10	60	3/4	2 7/8	2 1/4	1 3/4	28.4
51704SSW	51704WSSW	1	6	36	1	3 1/2	2 5/8	1 3/4	56.0



NO.	DESCRIPTION	MATERIAL
1	BODY	BRASS
2	END CAP	BRASS
3	SEAT	PTFE
4	BALL	BRASS HCP
5	STEM	BRASS
6	STEM SEAL	PTFE
7	PACKING GLAND	BRASS
8	LEVER HANDLE	STEEL CP (FOR 5170) STAINLESS STEEL (FOR 5170SSL)
9	HANDLE NUT	STEEL CP (FOR 5170) STAINLESS STEEL (FOR 5170SSL)
10	HANDLE JACKET	VINYL
11	WING STYLE "T" HANDLE	STAINLESS STEEL (FOR 5170SSW) STEEL CP (FOR 5170T)
12	HANDLE NUT	STAINLESS STEEL (FOR 5170SSW) STEEL CP (FOR 5170T)

TEMP °F	1/2" - 2"	2 1/2" - 4"
	PSI	PSI
100	600	400
150	490	327
200	479	313
250	470	293
300	N/A	N/A
350	N/A	N/A
366	N/A	N/A

Specifications: Designed for residential, commercial or industrial use with water, oil or gas. This approved Webstone valve is actuated by a blowout proof stem and features an adjustable packing gland. Solder joint temperature ratings are per ASME B16.18 Annex A for 95-5 solder. Other solder materials have lower pressure/temperature limits. Do not silver braze or overheat valves when soldering. *5170T valves are not manufactured in an ISO facility. *Certification applies to valves 1/2" to 2".



Quality and Commitment Since 1954

www.webstonevalves.com · P: (800) 225-9529 · F: (800) 336-5133

Webstone product specifications in U.S. customary units are approximate and are provided for reference only. Webstone reserves the right to change or modify product design, construction, specifications or materials without prior notice and without incurring any obligation to make such changes and modifications on Webstone products previously or subsequently sold.

5170-5170WSpec_122915