



H-x166W Series

Pro-Pal Dielectric Water Heater Supply Valve
 Full Port Forged DZR Brass Ball Valve
 w/ Dielectric Union End
 1/2 FIP Port & 1/8 Plugged FIP Port

Certifications

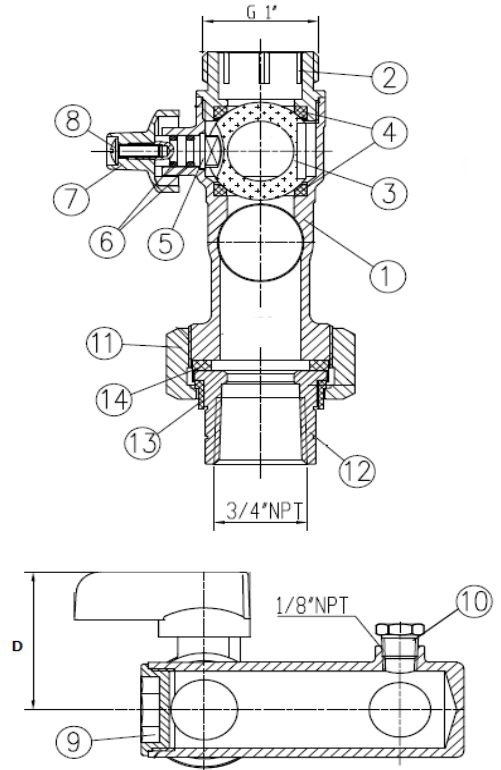
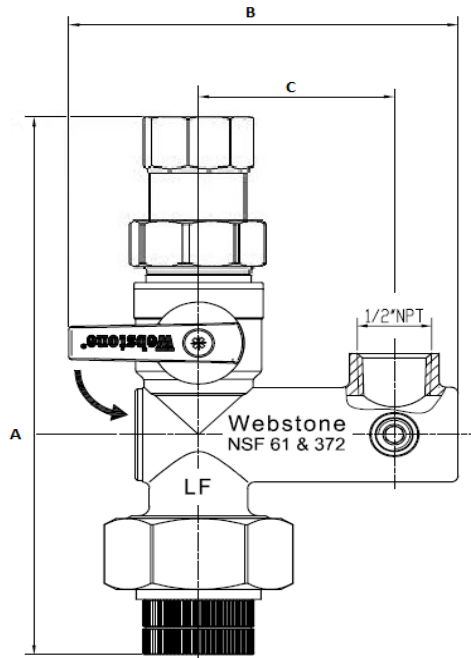
Certified to NSF/ANSI 61 & 372
 Lead-Free



DIELECTRIC WATER HEATER SUPPLY VALVE™

PATENTS PENDING

NO.	DESCRIPTION	MATERIAL
1	Body	Lead-Free DZR Brass
2	Cap	Lead-Free DZR Brass
3	Ball	Stainless Steel
4	Seat	PTFE
5	Stem	Lead-Free DZR Brass
6	O-ring	EPDM
7	Handle	Aluminum
8	Screw	Stainless Steel
9	End Cap	Lead-Free DZR Brass
10	Plug	Lead-Free DZR Brass
11	Union Nut	Zinc Plated Steel
12	FIP Fitting	Zinc Plated Steel
13	Insulator Ring	PSU
14	Gasket	EPDM



Designed for residential, commercial, or industrial use with water. This approved Webstone valve is actuated by a blowout proof stem. Threaded ends comply with ANSI B1.20.7. Hose ends comply with ANSI B1.20.7.

ITEM#	Connection Type	SIZE (in)	Max Temp	Pressure Rating	A	B	C	D
H-21663W	FIP Union × MIP	3/4	180°F Max	150 PSI CWP Max	6.82	4.37	2.20	1.72
H-41663W	FIP Union × FIP	3/4	180°F Max	150 PSI CWP Max	6.96	4.37	2.20	1.72
H-51663W	FIP Union × SWT	3/4	180°F Max	150 PSI CWP Max	6.92	4.37	2.20	1.72
H-61663W	FIP Union × Push	3/4	180°F Max	150 PSI CWP Max	7.27	4.37	2.20	1.72
H-81663W	FIP Union × Press	3/4	180°F Max	150 PSI CWP Max	7.72	4.37	2.20	1.72
H-G1663W	FIP Union × G-Thread	3/4	180°F Max	150 PSI CWP Max	5.13	4.37	2.20	1.72