



H-x156W Series

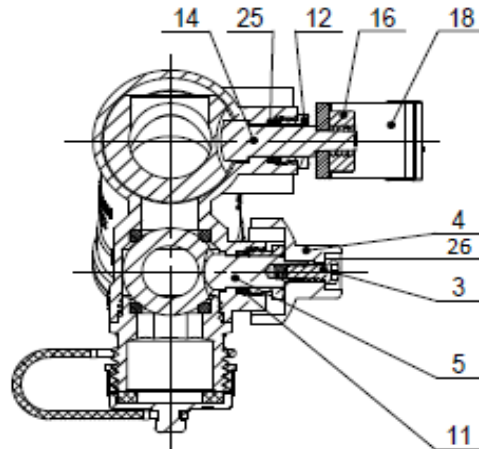
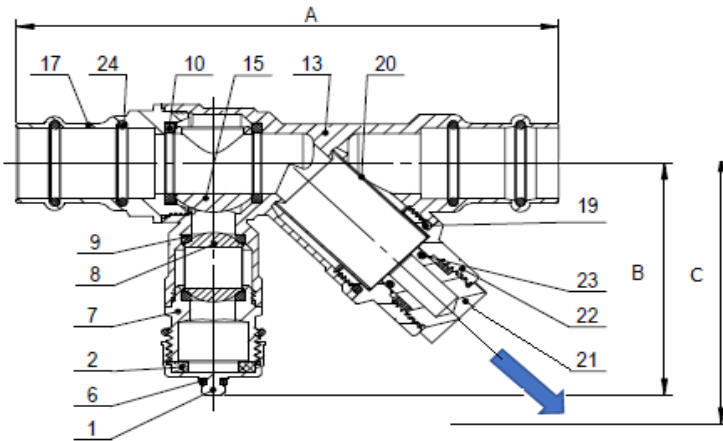
Pro-Pal Ball Drain Strainer
 Full Port Forged DZR Brass Ball Valve
 w/ Hi-Flow Multi-Function Hose Drain,
 Integral Y-Strainer (20 Mesh),
 1/2" Plugged NPT Port
 & Adjustable Packing Glands

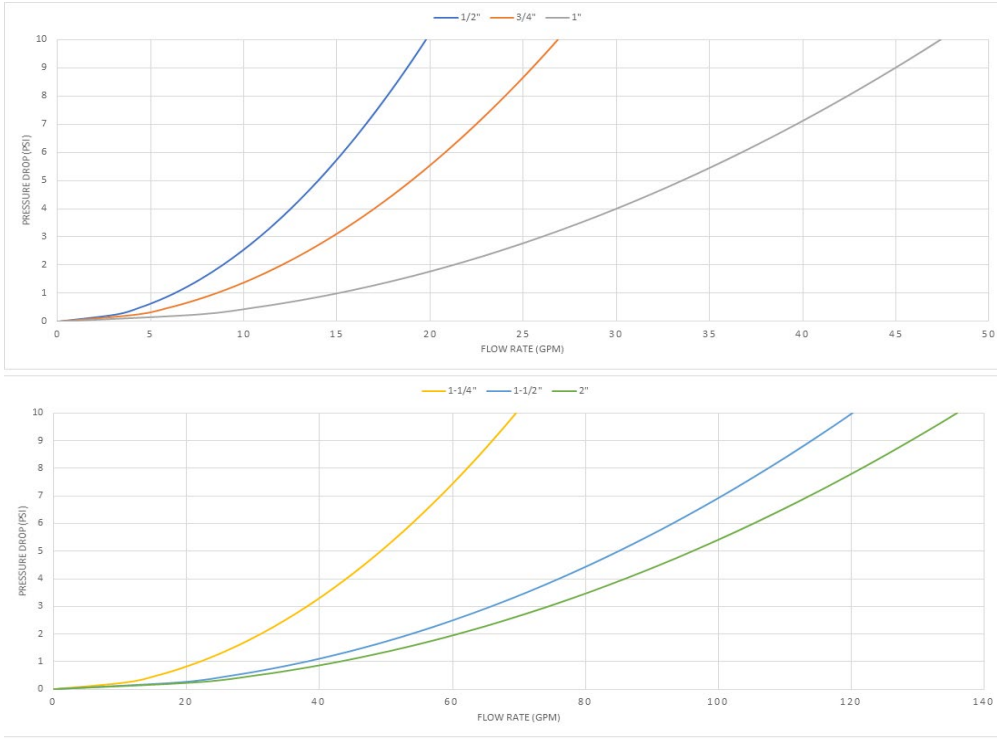
Certifications

Certified to NSF/ANSI 61 & 372
 Lead-Free



NO.	DESCRIPTION	MATERIAL
1	Cap	Brass
2	Gasket	EPDM
3	Screw	Stainless Steel
4	Handle	Aluminum
5	Stem	Brass
6	Strap	PVC
7	Cap	Brass
8	Ball	Brass HCP
9	Seat	PTFE
10	Seat	PTFE
11	Packing	PTFE
12	Packing Gland	Brass
13	Body	Lead-Free DZR Brass
14	Stem	Brass
15	Ball	Brass HCP
16	Handle Nut	Stainless Steel
17	Cap	Lead-Free DZR Brass
18	Handle	Steel CP
19	O Ring	EPDM
20	strainer	Stainless Steel
21	1/2"NPT Plug	Lead-Free DZR Brass
22	Cap	Lead-Free DZR Brass
23	O Ring	EPDM
24	O Ring	EPDM
25	Packing	PTFE
26	Packing Gland	Brass





Designed for residential or light commercial use with water, oil, or glycol mix. It is actuated by a blowout proof stem and features an adjustable packing gland. Threaded ends comply with ANSI B1.20.1.

ITEM#	Connection Type	SIZE (in)	Max Temp	Pressure Rating	A	B	C
H-41562W	FIP	1/2	200°F Max	250 PSI CWP Max	3.58	3.00	3.25
H-41563W	FIP	3/4	200°F Max	250 PSI CWP Max	4.30	3.00	3.75
H-41564W	FIP	1	200°F Max	250 PSI CWP Max	4.72	3.00	4.00
H-41565W	FIP	1 1/4	200°F Max	250 PSI CWP Max	5.75	3.50	4.50
H-81562W	Press	1/2	200°F Max	250 PSI CWP Max	5.09	3.00	3.25
H-81563W	Press	3/4	200°F Max	250 PSI CWP Max	6.18	3.00	3.75
H-81564W	Press	1	200°F Max	250 PSI CWP Max	6.46	3.00	4.00
H-81565W	Press	1 1/4	200°F Max	250 PSI CWP Max	7.78	3.50	4.50