



H-x063W Series

Pro-Pal T-Union Ball Drain
Full Port Forged DZR Brass Ball Valve
w/ Union Tee,
Hi-Flow Hose Drain,
Reversible Handle
& Dual Stem Seal Design

Certifications

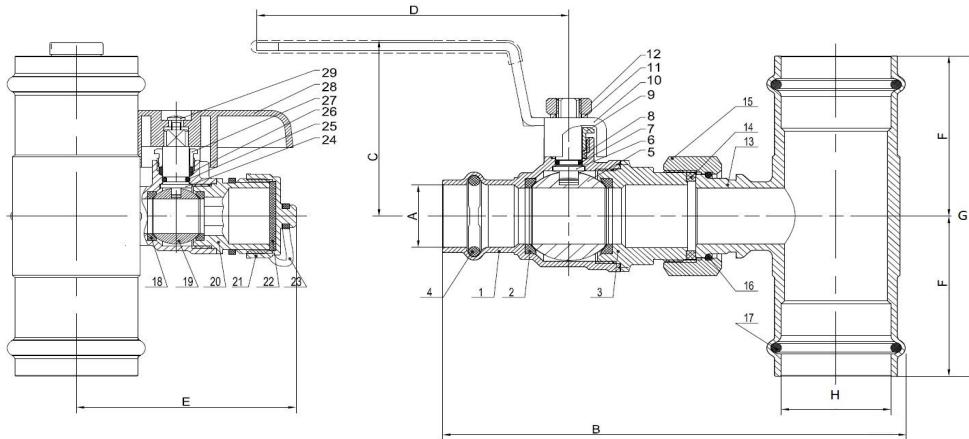
Certified to NSF/ANSI 61 & 372
Lead-Free



T-UNION BALL DRAIN

**PRO-CONNECT
PRESS**

PATENTS PENDING		
NO.	DESCRIPTION	MATERIAL
1	Body	Lead-Free DZR Brass
2	Seat	PTFE
3	Cap	Lead-Free DZR Brass
4	O-Ring	EPDM
5	Ball	Brass HCP
6	Stem	Brass
7	O-Ring	EPDM
8	Packing	PTFE
9	Packing Gland	Brass
10	Handle	Stainless Steel
11	Lock Washer	Stainless Steel
12	Nut	Stainless Steel
13	Tee Fitting	Lead-Free DZR Brass
14	Gasket	EPDM
15	Union Nut	Brass
16	Retainer	Stainless Steel
17	O-Ring	EPDM
18	Seat	PTFE
19	Ball	Brass HCP
20	Cap	Lead-Free DZR Brass
21	Cap	Brass
22	Gasket	EPDM
23	Strap	NBR
24	Stem	Brass
25	O-Ring	EPDM
26	Packing	PTFE
27	Packing Gland	Brass
28	Handle	Aluminum
29	Screw	Steel CP



Designed for residential, commercial, or industrial use with water, oil, or glycol mix. This approved Webstone valve is actuated by a blowout proof stem.

ITEM#	Connection Type	SIZE (In)	Max Temp	Pressure Rating	A	B	C	D	E	F	G	H
H-80633W-T114	Press Valve × Press Run	3/4 × 1 1/4	200°F Max	250 PSI CWP Max	0.75	5.87	2.58	3.35	2.60	2.64	5.28	1.25
H-80634W-T112	Press Valve × Press Run	1 × 1 1/2	200°F Max	250 PSI CWP Max	1.00	6.62	3.03	3.78	2.96	2.76	5.52	1.50
H-80634W-T114	Press Valve × Press Run	1 × 1 1/4	200°F Max	250 PSI CWP Max	1.00	6.32	3.03	3.78	2.96	2.76	5.52	1.25
H-80635W-T112	Press Valve × Press Run	1 1/4 × 1 1/2	200°F Max	250 PSI CWP Max	1.25	7.19	2.86	5.12	3.07	2.84	5.67	1.50