

**THIS SPACE FOR DESIGNER/ENGINEER APPROVAL**

Job/Customer _____	Date _____	Contractor _____
Model Specified _____	Qty _____	Approved By _____
Designer/Engineer _____	Date _____	Contractor's PO# _____
Submitted By _____	Date _____	Other _____

**4062W Series**  
**Full Port Forged Brass Ball Valves**  
**w/ Bleeder, Adjustable Packing Gland**  
**& Reversible Handle**  
**IPS**  
**600 WOG / 150 WSP**  
**ISO 9001**

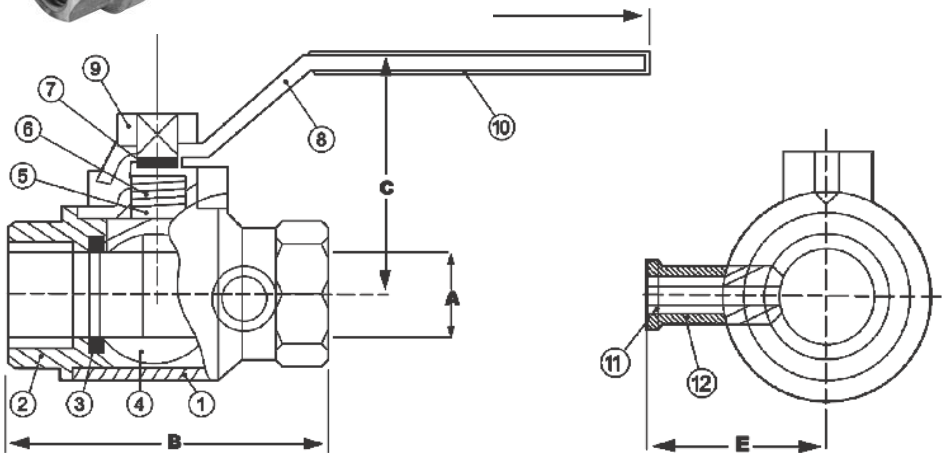
Lead free products are certified to NSF/ANSI 61-G



LEAD FREE ITEM #	SIZE	CTN	CASE	A	B	C	D	E	Cv
40622W	1/2"	24	24	1/2	2 1/4	1 3/4	3 1/4	1	11.5
40623W	3/4"	12	48	3/4	2 5/8	2 1/8	4	1 1/4	27.1
40624W	1"	8	32	1	2 7/8	2 1/2	4 3/4	1 3/8	49.3



NO.	DESCRIPTION	MATERIAL
1	BODY	BRASS
2	END CAP	BRASS
3	SEAT	PTFE
4	BALL	BRASS HCP
5	STEM	BRASS
6	STEM SEAL	PTFE
7	PACKING GLAND	BRASS
8	HANDLE	STEEL CP
9	HANDLE NUT	BRASS
10	HANDLE JACKET	VINYL
11	DRAIN PACKING	CR
12	DRAIN CAP	BRASS



TEMP °F	PSI
100	600
150	490
200	470
250	439
300	411
350	294
366	N/A

**Specifications:** Designed for residential, commercial or industrial use with water, oil or gas. This approved Webstone valve is actuated by a blowout proof stem and features an adjustable packing gland. Threaded ends comply with ANSI B1.20.1



Quality and Commitment Since 1954

www.webstonevalves.com · P: (800) 225-9529 · F: (800) 336-5133

Webstone product specifications in U.S. customary units are approximate and are provided for reference only. Webstone reserves the right to change or modify product design, construction, specifications or materials without prior notice and without incurring any obligation to make such changes and modifications on Webstone products previously or subsequently sold.

4062-4062WSpec\_081313

**THIS SPACE FOR DESIGNER/ENGINEER APPROVAL**

Job/Customer _____	Date _____	Contractor _____
Model Specified _____	Qty _____	Approved By _____
Designer/Engineer _____	Date _____	Contractor's PO# _____
Submitted By _____	Date _____	Other _____

# 5062 Series

## Full Port Forged Brass Ball Valves

### w/ Bleeder. Adjustable Packing Gland

### & Reversible Handle

### CxC

### 600 WOG / 150 WSP

### ISO 9001

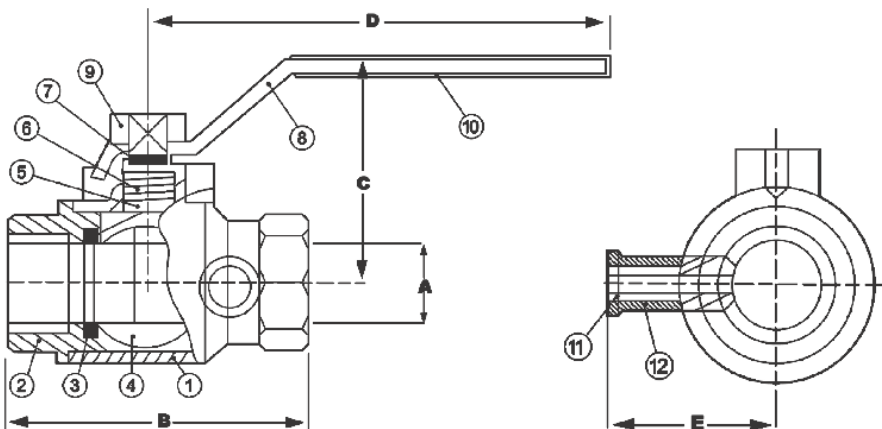
Lead free products are certified to NSF/ANSI 61-G



STANDARD BRASS ITEM #	LEAD FREE ITEM #	SIZE	CTN	CASE	A	B	C	D	E	Cv
50622	50622W	1/2"	25	100	1/2	2 1/2	1 7/8	3 5/16	1	11.5
50623	50623W	3/4"	10	40	3/4	2 7/8	2 1/16	3 15/16	1 1/4	27.0
50624	50624W	1"	6	24	1	3 11/16	2 1/2	4 1/2	1 3/8	49.3



NO.	DESCRIPTION	MATERIAL
1	BODY	BRASS
2	END CAP	BRASS
3	SEAT	PTFE
4	BALL	BRASS HCP
5	STEM	BRASS
6	STEM SEAL	PTFE
7	PACKING GLAND	BRASS
8	HANDLE	STEEL CP
9	HANDLE NUT	STEEL CP
10	HANDLE JACKET	VINYL
11	DRAIN PACKING	CR
12	DRAIN CAP	BRASS



TEMP °F	PSI
100	600
150	485
200	395
250	210
300	N/A
350	N/A
366	N/A

**Specifications:** Designed for residential, commercial or industrial use with water, oil or gas. This approved Webstone valve is actuated by a blowout proof stem. Solder joint temperature ratings are per ASME B16.18 Annex A for 95-5 solder. Other solder materials have lower pressure/temperature limits. Do not silver braze or over heat valves when soldering.



Quality and Commitment Since 1954

www.webstonevalves.com · P: (800) 225-9529 · F: (800) 336-5133

Webstone product specifications in U.S. customary units are approximate and are provided for reference only. Webstone reserves the right to change or modify product design, construction, specifications or materials without prior notice and without incurring any obligation to make such changes and modifications on Webstone products previously or subsequently sold.

5062-5062WSpec\_111312