



H-x062W Series

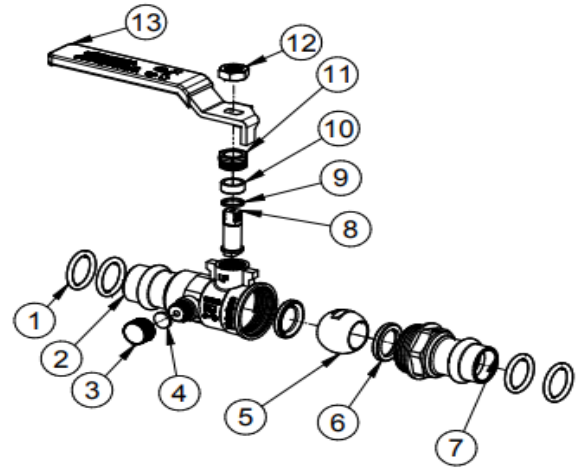
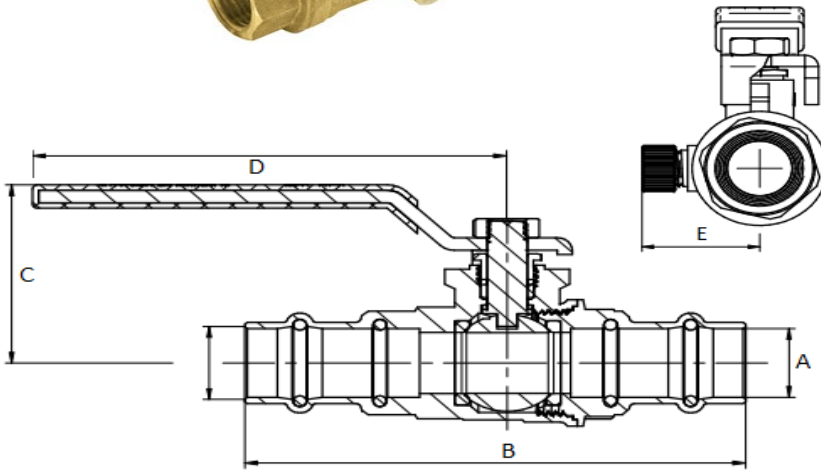
Full Port Forged DZR Brass Ball Valve
w/ Bleeder,
Reversible Handle
& Adjustable Packing Gland

Certifications

Certified to NSF/ANSI 61 & 372
Lead-Free



NO.	DESCRIPTION	MATERIAL
1	O-Ring	EPDM
2	Body	Lead-Free DZR Brass
3	Bleeder Cap	Brass
4	Bleeder Cap Gasket	EPDM
5	Ball	Brass HCP
6	Seat	PTFE
7	Cap	Lead-Free DZR Brass
8	Stem	Lead-Free DZR Brass
9	Stem Seal	PTFE
10	Packing Gland	PTFE
11	Packing Nut	Brass
12	Handle Nut	Stainless Steel



Designed for residential, commercial, or industrial use with water, oil or glycol mix. This approved Webstone valve is actuated by a blowout proof stem and features an adjustable packing gland. Threaded ends comply with ANSI B1.20.1. NSF/ANSI 372 certification applies to press products only.

ITEM#	Connection Type	SIZE (In)	Max Temp	Pressure Rating	A	B	C	D	E
H-40622W	FIP	1/2"	250 °F Max	600 PSI CWP Max/150 WSP	0.50	2.25	1.75	3.25	1.00
H-40623W	FIP	3/4"	250 °F Max	600 PSI CWP Max/150 WSP	0.75	2.63	2.13	4.00	1.25
H-40624W	FIP	1"	250 °F Max	600 PSI CWP Max/150 WSP	1.00	2.88	2.50	4.75	1.38
H-50622W	SWT	1/2"	250 °F Max	600 PSI CWP Max/150 WSP	0.50	2.50	1.88	3.31	1.00
H-50623W	SWT	3/4"	250 °F Max	600 PSI CWP Max/150 WSP	0.75	2.88	2.06	3.94	1.25
H-50624W	SWT	1"	250 °F Max	600 PSI CWP Max/150 WSP	1.00	3.69	2.50	4.50	1.38
H-80622W	Press	1/2"	250 °F Max	250 PSI CWP Max	0.50	4.02	1.74	3.74	1.06
H-80623W	Press	3/4"	250 °F Max	250 PSI CWP Max	0.75	4.70	2.00	3.74	1.22
H-80624W	Press	1"	250 °F Max	250 PSI CWP Max	1.00	4.95	2.38	4.33	1.42