

## H-x061W Series

Pro-Pal Ball Drain  
 Full Port Forged Brass Ball Valve  
 w/ Hi-Flow Hose Drain,  
 Reversible Handle  
 & Adjustable Packing Glands

### Certifications

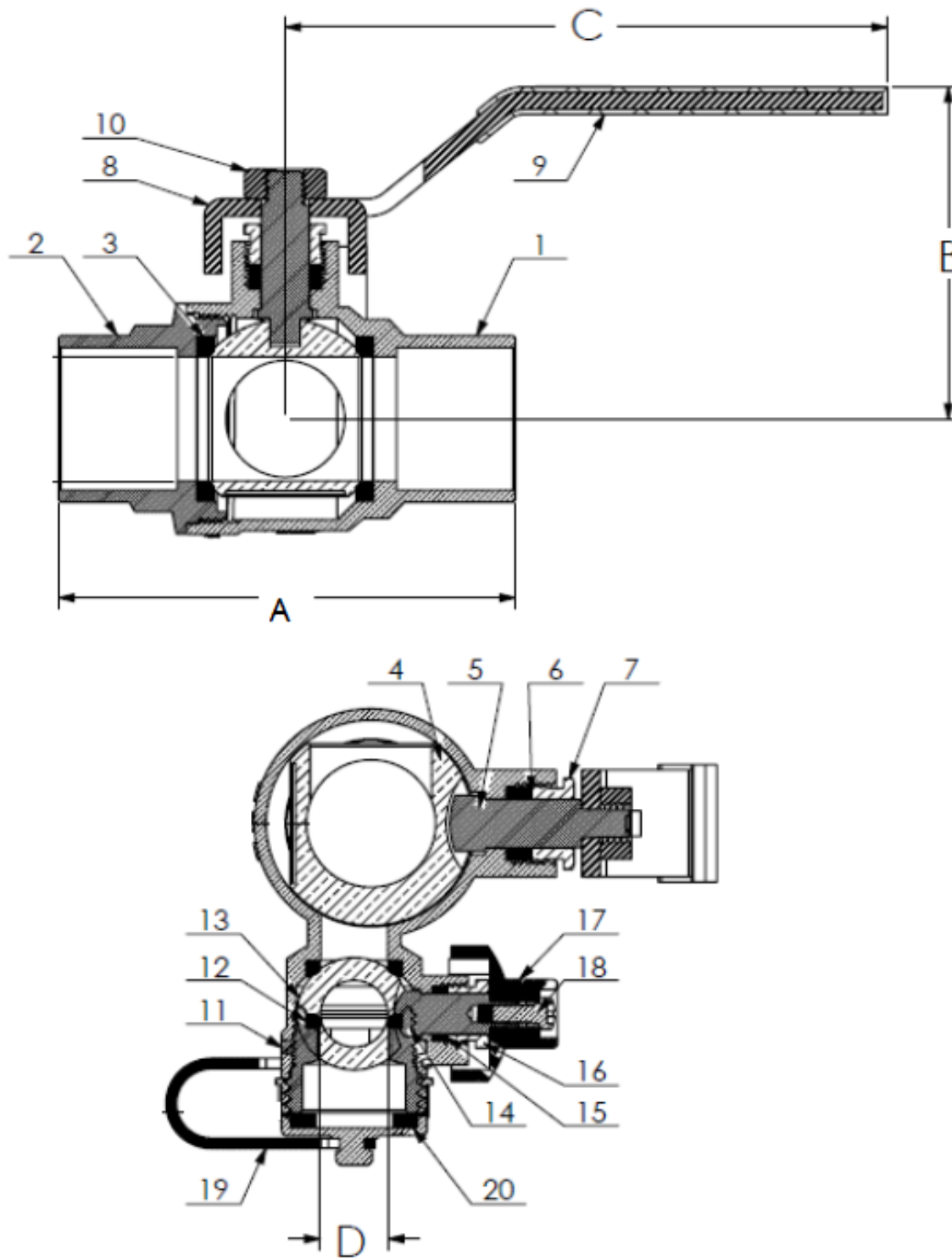
Certified to NSF/ANSI 61 & 372  
 Lead-Free



NO.	DESCRIPTION	MATERIAL
1	Body	Lead Free DZR Brass
2	Cap	Lead Free DZR Brass
3	Seat	PTFE
4	Ball	Brass HCP
5	Stem	Brass
6	Packing	PTFE
7	Packing Gland	Brass
8	Handle	Steel CP
9	Handle Jacket	Vinyl
10	Handle Nut	Stainless Steel
11	Cap	Brass
12	Seat	PTFE
13	Ball	Brass HCP
14	Stem	Brass
15	Packing	PTFE
16	Packing Gland	Brass
17	Handle	Aluminum
18	Handle Screw	Brass
19	Cap & Strap	Brass W/ PVC Strap
20	Gasket	EPDM

ITEM#	Connection Type	SIZE (in)	Pressure Rating	Max Temp	A	B	C	D
* H-10612W	ASTM F1807 PEX	1/2	400 PSI CWP Max	200°F Max	2.90	2.50	3.50	0.50
* H-10613W	ASTM F1807 PEX	3/4	400 PSI CWP Max	200°F Max	3.15	2.50	3.50	0.50
* H-10614W	ASTM F1807 PEX	1	400 PSI CWP Max	200°F Max	3.88	2.75	4.63	0.50
* H-10615W	ASTM F1807 PEX	1 1/4	400 PSI CWP Max	200°F Max	4.51	3.00	4.50	0.75
* H-10616W	ASTM F1807 PEX	1 1/2	400 PSI CWP Max	200°F Max	5.13	3.63	5.63	0.75
* H-10617W	ASTM F1807 PEX	2	400 PSI CWP Max	200°F Max	6.64	4.00	5.63	0.75
* H-30612W	ASTM F1960 PEX	1/2	400 PSI CWP Max	200°F Max	2.96	2.50	3.50	0.50
* H-30613W	ASTM F1960 PEX	3/4	400 PSI CWP Max	200°F Max	3.72	2.50	3.50	0.50
* H-30614W	ASTM F1960 PEX	1	400 PSI CWP Max	200°F Max	4.59	2.75	4.63	0.50
* H-30615W	ASTM F1960 PEX	1 1/4	400 PSI CWP Max	200°F Max	5.48	3.00	4.50	0.75
* H-30616W	ASTM F1960 PEX	1 1/2	400 PSI CWP Max	200°F Max	6.21	3.63	5.63	0.75
* H-30617W	ASTM F1960 PEX	2	400 PSI CWP Max	200°F Max	7.82	4.00	5.63	0.75
H-40612W	FIP	1/2	600 PSI CWP Max	350°F Max	2.50	2.00	3.88	0.50
H-40613W	FIP	3/4	600 PSI CWP Max	350°F Max	2.63	2.06	3.88	0.50
H-40614W	FIP	1	600 PSI CWP Max	350°F Max	3.25	2.63	4.63	0.50
H-40615W	FIP	1 1/4	600 PSI CWP Max	350°F Max	3.50	3.00	4.63	0.75
H-40616W	FIP	1 1/2	600 PSI CWP Max	350°F Max	3.88	3.50	5.63	0.75
H-40617W	FIP	2	600 PSI CWP Max	350°F Max	4.38	4.00	5.63	0.75
H-50612W	SWT	1/2	600 PSI CWP Max	250°F Max	2.00	2.00	3.88	0.50
H-50613W	SWT	3/4	600 PSI CWP Max	250°F Max	2.88	2.06	3.88	0.50
H-50614W	SWT	1	600 PSI CWP Max	250°F Max	3.56	2.63	4.63	0.50
H-50615W	SWT	1 1/4	600 PSI CWP Max	250°F Max	3.88	3.00	4.63	0.75
H-50616W	SWT	1 1/2	600 PSI CWP Max	250°F Max	4.63	3.50	5.63	0.75
H-50617W	SWT	2	600 PSI CWP Max	250°F Max	5.50	4.00	5.63	0.75
H-54612W	SWT x FIP	1/2	600 PSI CWP Max	250°F Max	2.06	2.00	3.88	0.50
H-54613W	SWT x FIP	3/4	600 PSI CWP Max	250°F Max	2.75	2.06	3.88	0.50
H-54614W	SWT x FIP	1	600 PSI CWP Max	250°F Max	3.38	2.63	4.63	0.50
H-80612W	Press	1/2	250 PSI CWP Max	250°F Max	3.75	1.94	3.88	0.50
H-80613W	Press	3/4	250 PSI CWP Max	250°F Max	4.44	2.13	3.88	0.50
H-80614W	Press	1	250 PSI CWP Max	250°F Max	4.81	2.63	4.63	0.50
H-80615W	Press	1 1/4	250 PSI CWP Max	250°F Max	5.50	3.00	4.63	0.75
H-80616W	Press	1 1/2	250 PSI CWP Max	250°F Max	5.88	3.56	5.63	0.75
H-80617W	Press	2	250 PSI CWP Max	250°F Max	7.00	3.94	5.63	0.75





Designed for residential, commercial or industrial use. This approved Webstone valve is actuated by a blowout proof stem. \*Certified to NSF/ANSI 14.