

H-x043W Series

Pro-Pal Union Ball Drain
 Full Port Forged Brass Ball Valve
 w/ Single Union End,
 Hi-Flow Hose Drain,
 Reversible Handle
 & Adjustable Packing Glands

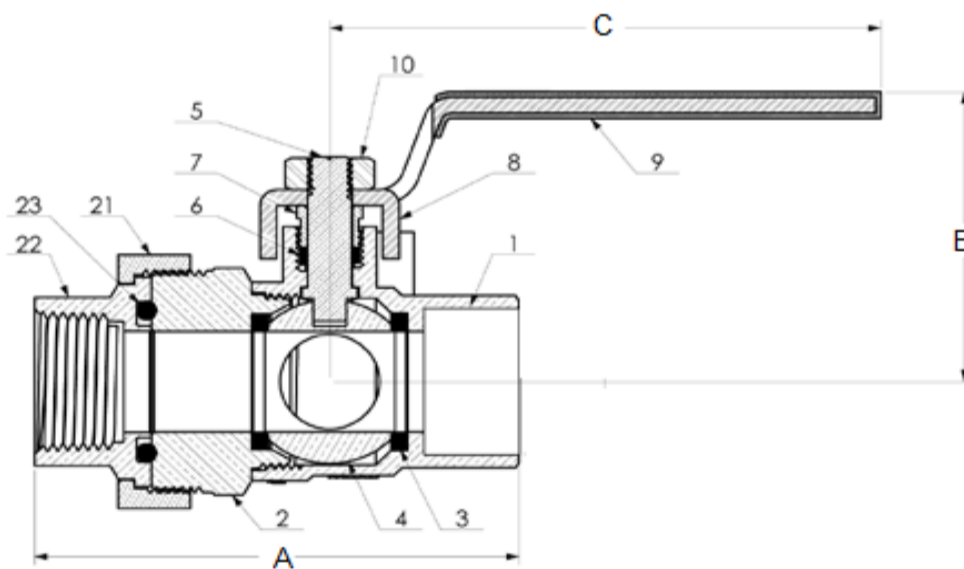
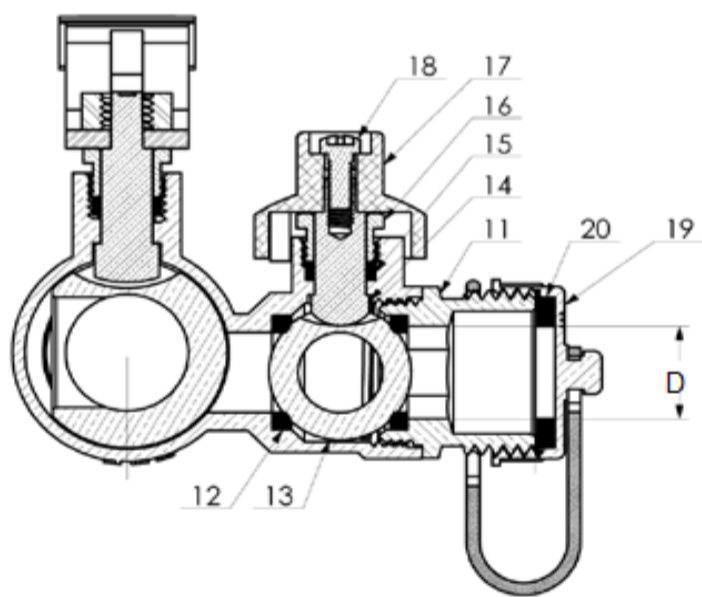
Certifications

Certified to NSF/ANSI 61 & 372

Lead-Free



| NO. | DESCRIPTION | MATERIAL |
|-----|---------------|---------------------|
| 1 | BODY | Lead Free DZR Brass |
| 2 | CAP | Lead Free DZR Brass |
| 3 | SEAT | PTFE |
| 4 | BALL | BRASS HCP |
| 5 | STEM | BRASS |
| 6 | PACKING | PTFE |
| 7 | PACKING GLAND | BRASS |
| 8 | HANDLE | STEEL CP |
| 9 | HANDLE JACKET | VINYL |
| 10 | HANDLE NUT | STAINLESS STEEL |
| 11 | CAP | BRASS |
| 12 | SEAT | PTFE |
| 13 | BALL | BRASS HCP |
| 14 | STEM | BRASS |
| 15 | PACKING | PTFE |
| 16 | PACKING GLAND | BRASS |
| 17 | HANDLE | ALUMINUM |
| 18 | HANDLE SCREW | BRASS |
| 19 | CAP & STRAP | BRASS w/ PVC STRAP |
| 20 | GASKET | EPDM |
| 21 | UNION NUT | BRASS |
| 22 | UNION FITTING | Lead Free DZR Brass |
| 23 | O-Ring | EPDM |



Designed for residential, commercial or industrial use. This approved Webstone valve is actuated by a blowout proof stem. Threaded ends comply with ANSI B1.20.1*Certified to NSF/ANSI 14.

| ITEM# | Connection Type | SIZE (in) | Pressure Rating | Max Temp | A | B | C | D |
|------------|----------------------------|-----------|-----------------|-----------|------|------|------|------|
| * H-10432W | FIP Union x ASTM F1807 PEX | 1/2 | 250 PSI CWP Max | 200°F Max | 3.43 | 2.50 | 3.50 | 0.50 |
| * H-10433W | FIP Union x ASTM F1807 PEX | 3/4 | 250 PSI CWP Max | 200°F Max | 3.63 | 2.50 | 3.50 | 0.50 |
| * H-10434W | FIP Union x ASTM F1807 PEX | 1 | 250 PSI CWP Max | 200°F Max | 4.22 | 2.75 | 4.63 | 0.50 |
| * H-10435W | FIP Union x ASTM F1807 PEX | 1 1/4 | 250 PSI CWP Max | 200°F Max | 4.62 | 3.00 | 4.50 | 0.75 |
| * H-10436W | FIP Union x ASTM F1807 PEX | 1 1/2 | 250 PSI CWP Max | 200°F Max | 5.65 | 3.63 | 5.63 | 0.75 |
| * H-10437W | FIP Union x ASTM F1807 PEX | 2 | 250 PSI CWP Max | 200°F Max | 6.39 | 4.00 | 5.63 | 0.75 |
| * H-30432W | FIP Union x ASTM F1960 PEX | 1/2 | 250 PSI CWP Max | 200°F Max | 3.46 | 2.50 | 3.50 | 0.50 |
| * H-30433W | FIP Union x ASTM F1960 PEX | 3/4 | 250 PSI CWP Max | 200°F Max | 3.88 | 2.50 | 3.50 | 0.50 |
| * H-30434W | FIP Union x ASTM F1960 PEX | 1 | 250 PSI CWP Max | 200°F Max | 4.57 | 2.75 | 4.63 | 0.50 |
| * H-30435W | FIP Union x ASTM F1960 PEX | 1 1/4 | 250 PSI CWP Max | 200°F Max | 5.10 | 3.00 | 4.50 | 0.75 |
| * H-30436W | FIP Union x ASTM F1960 PEX | 1 1/2 | 250 PSI CWP Max | 200°F Max | 6.19 | 3.63 | 5.63 | 0.75 |
| * H-30437W | FIP Union x ASTM F1960 PEX | 2 | 250 PSI CWP Max | 200°F Max | 6.94 | 4.00 | 5.63 | 0.75 |
| H-40433W | FIP Union x FIP | 3/4 | 600 PSI CWP Max | 350°F Max | 3.25 | 2.06 | 4.00 | 0.50 |
| H-40434W | FIP Union x FIP | 1 | 600 PSI CWP Max | 350°F Max | 4.00 | 2.63 | 4.06 | 0.50 |
| H-40435W | FIP Union x FIP | 1 1/4 | 600 PSI CWP Max | 350°F Max | 4.31 | 3.00 | 4.31 | 0.75 |
| H-40436W | FIP Union x FIP | 1 1/2 | 600 PSI CWP Max | 350°F Max | 5.19 | 3.50 | 5.19 | 0.75 |
| H-50433W | FIP Union x SWT | 3/4 | 600 PSI CWP Max | 250°F Max | 3.50 | 2.00 | 3.63 | 0.50 |
| H-50434W | FIP Union x SWT | 1 | 600 PSI CWP Max | 250°F Max | 4.19 | 2.63 | 4.19 | 0.50 |
| H-50435W | FIP Union x SWT | 1 1/4 | 600 PSI CWP Max | 250°F Max | 4.50 | 3.00 | 4.50 | 0.75 |
| H-50436W | FIP Union x SWT | 1 1/2 | 600 PSI CWP Max | 250°F Max | 5.38 | 3.50 | 5.50 | 0.75 |
| H-80433W | FIP Union x Press | 3/4 | 250 PSI CWP Max | 250°F Max | 4.32 | 2.63 | 3.50 | 0.50 |
| H-80434W | FIP Union x Press | 1 | 250 PSI CWP Max | 250°F Max | 4.80 | 2.63 | 4.65 | 0.50 |
| H-80435W | FIP Union x Press | 1 1/4 | 250 PSI CWP Max | 250°F Max | 5.20 | 2.63 | 4.65 | 0.75 |
| H-80436W | FIP Union x Press | 1 1/2 | 250 PSI CWP Max | 250°F Max | 6.20 | 3.30 | 5.50 | 0.75 |

