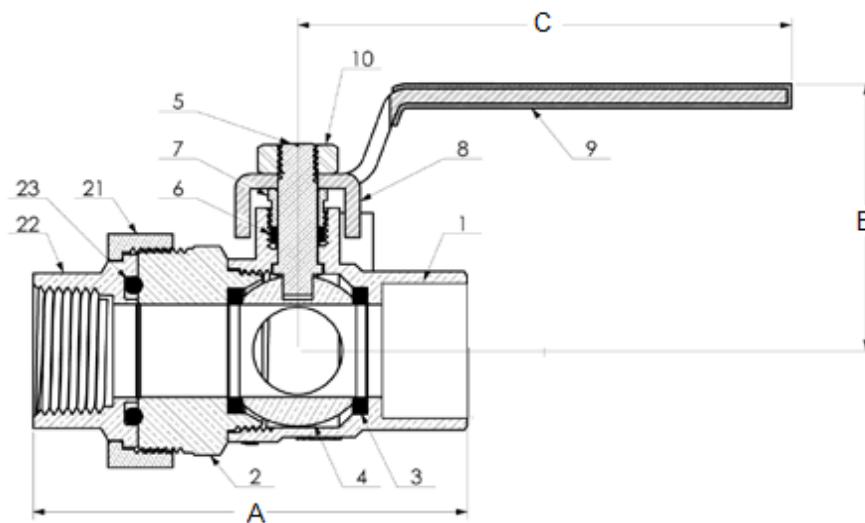
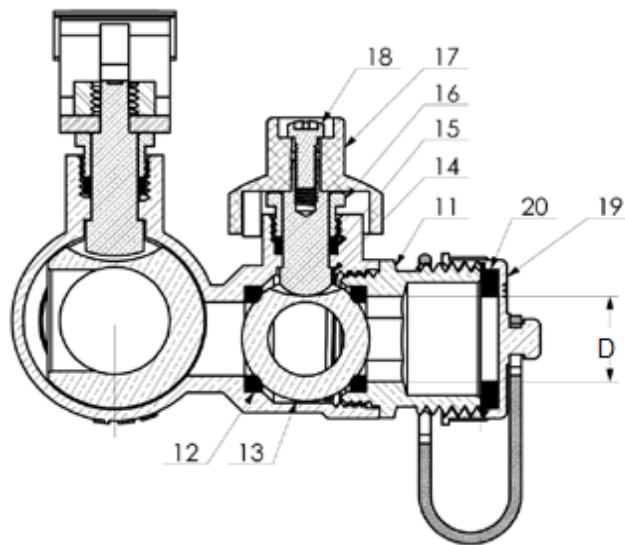


H-x043 Series

Pro-Pal Union Ball Drain
 Full Port Forged Brass Ball Valve
 w/ Single Union End,
 Hi-Flow Hose Drain,
 Reversible Handle
 & Adjustable Packing Glands



| NO. | DESCRIPTION | MATERIAL |
|-----|---------------|--------------------|
| 1 | BODY | Brass |
| 2 | CAP | Brass |
| 3 | SEAT | PTFE |
| 4 | BALL | BRASS HCP |
| 5 | STEM | BRASS |
| 6 | PACKING | PTFE |
| 7 | PACKING GLAND | BRASS |
| 8 | HANDLE | STEEL CP |
| 9 | HANDLE JACKET | VINYL |
| 10 | HANDLE NUT | STAINLESS STEEL |
| 11 | CAP | BRASS |
| 12 | SEAT | PTFE |
| 13 | BALL | BRASS HCP |
| 14 | STEM | BRASS |
| 15 | PACKING | PTFE |
| 16 | PACKING GLAND | BRASS |
| 17 | HANDLE | ALUMINUM |
| 18 | HANDLE SCREW | BRASS |
| 19 | CAP & STRAP | BRASS w/ PVC STRAP |
| 20 | GASKET | EPDM |
| 21 | UNION NUT | BRASS |
| 22 | UNION FITTING | Brass |
| 23 | O-Ring | EPDM |



Designed for residential, commercial or industrial use. This approved Webstone valve is actuated by a blowout proof stem. Threaded ends comply with ANSI B1.20.1

| ITEM# | Connection Type | SIZE (in) | Pressure Rating | Max Temp | A | B | C | D |
|---------|-----------------|-----------|-----------------|-----------|------|------|------|------|
| H-40433 | FIP Union x FIP | 3/4 | 600 PSI CWP Max | 350°F Max | 3.25 | 2.06 | 4.00 | 0.50 |
| H-40434 | FIP Union x FIP | 1 | 600 PSI CWP Max | 350°F Max | 4.00 | 2.63 | 4.06 | 0.50 |
| H-40435 | FIP Union x FIP | 1 1/4 | 600 PSI CWP Max | 350°F Max | 4.31 | 3.00 | 4.31 | 0.75 |
| H-40436 | FIP Union x FIP | 1 1/2 | 600 PSI CWP Max | 350°F Max | 5.19 | 3.50 | 5.19 | 0.75 |
| H-50433 | FIP Union x SWT | 3/4 | 600 PSI CWP Max | 250°F Max | 3.50 | 2.00 | 3.63 | 0.50 |
| H-50434 | FIP Union x SWT | 1 | 600 PSI CWP Max | 250°F Max | 4.19 | 2.63 | 4.19 | 0.50 |
| H-50435 | FIP Union x SWT | 1 1/4 | 600 PSI CWP Max | 250°F Max | 4.50 | 3.00 | 4.50 | 0.75 |
| H-50436 | FIP Union x SWT | 1 1/2 | 600 PSI CWP Max | 250°F Max | 5.38 | 3.50 | 5.50 | 0.75 |

