

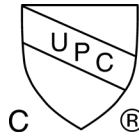
H-x042W Series

Pro-Pal Union Ball
Full Port Forged DZR Brass Ball Valve
w/ Single Union End
& Adjustable Packing Gland

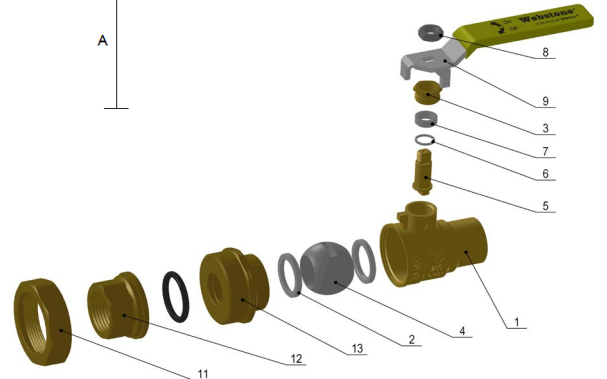
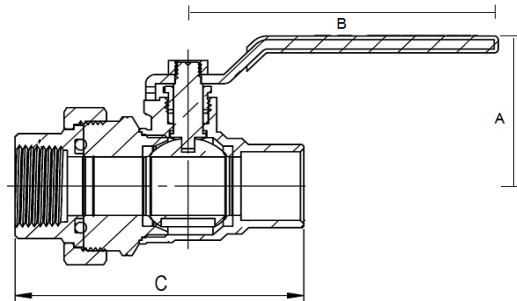


Certifications

Certified to NSF/ANSI 61 & 372
Lead-Free



NO.	DESCRIPTION	MATERIAL
1	Body	Lead Free DZR Brass
2	Seat	PTFE
3	Packing Gland	Brass
4	Ball	Brass HCP
5	Stem	Lead Free DZR Brass
6	Thrust Washer	PTFE
7	Packing	PTFE
8	Handle Nut	Stainless steel
9	Handle	Steel CP
10	O-Ring	EPDM
11	Union Nut	Brass
12	Union Fitting	Lead Free DZR Brass
13	Cap	Lead Free DZR Brass



Designed for residential, commercial or industrial use. This approved Webstone valve is actuated by a blowout proof stem. *Certified to NSF/ANSI 14. +Certified to ASSE 1061

ITEM#	Connection Type	SIZE (in)	Pressure Rating	Max Temp	A	B	C
* H-10422W	FIP Union x ASTM F1807 PEX	1/2	250 PSI CWP Max	200°F Max	1.75	3.75	3.36
* H-10423W	FIP Union x ASTM F1807 PEX	3/4	250 PSI CWP Max	200°F Max	2.00	3.75	3.50
* H-10424W	FIP Union x ASTM F1807 PEX	1	250 PSI CWP Max	200°F Max	2.50	4.38	4.09
* H-30422W	FIP Union x ASTM F1960 PEX	1/2	250 PSI CWP Max	200°F Max	1.75	3.75	3.41
* H-30423W	FIP Union x ASTM F1960 PEX	3/4	250 PSI CWP Max	200°F Max	2.00	3.75	3.79
* H-30424W	FIP Union x ASTM F1960 PEX	1	250 PSI CWP Max	200°F Max	2.50	4.38	4.40
H-40422W	FIP Union x FIP	1/2	250 PSI CWP Max	200°F Max	1.75	3.75	3.20
H-40423W	FIP Union x FIP	3/4	250 PSI CWP Max	200°F Max	2.00	3.75	3.39
H-40424W	FIP Union x FIP	1	250 PSI CWP Max	200°F Max	2.50	4.38	3.91
H-50422W	FIP Union x SWT	1/2	250 PSI CWP Max	200°F Max	1.75	3.75	3.07
H-50423W	FIP Union x SWT	3/4	250 PSI CWP Max	200°F Max	2.00	3.75	3.49
H-50424W	FIP Union x SWT	1	250 PSI CWP Max	200°F Max	2.50	4.38	4.02
*+ H-60422W	FIP Union x Push	1/2	200 PSI CWP Max	200°F Max	1.75	3.75	3.52
*+ H-60423W	FIP Union x Push	3/4	200 PSI CWP Max	200°F Max	2.00	3.75	3.73
*+ H-60424W	FIP Union x Push	1	200 PSI CWP Max	200°F Max	2.50	4.38	4.17
H-80422W	FIP Union x Press	1/2	250 PSI CWP Max	200°F Max	1.75	3.75	3.94
H-80423W	FIP Union x Press	3/4	250 PSI CWP Max	200°F Max	2.00	3.75	4.32
H-80424W	FIP Union x Press	1	250 PSI CWP Max	200°F Max	2.50	4.38	4.66



WARNING: Cancer and Reproductive Harm. www.P65Warnings.ca.gov

H-x042W Specs spec_7/29/2019