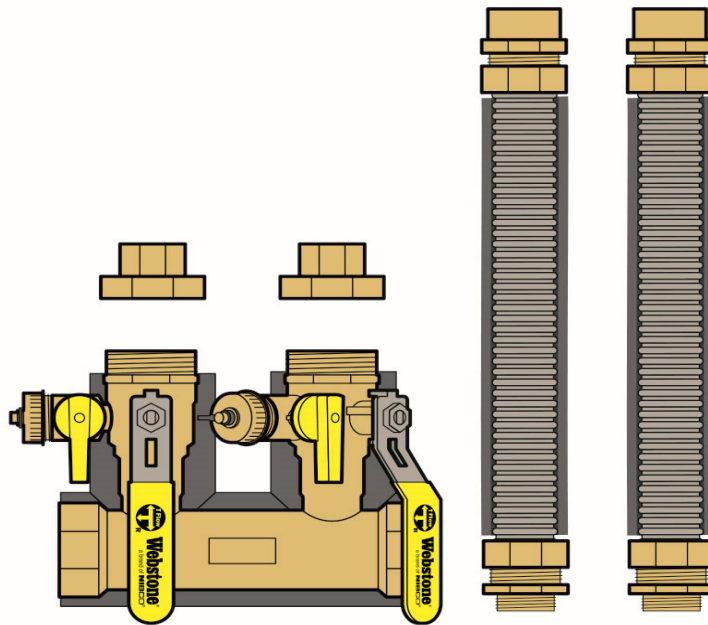




H-FK-WIF Series

Hydro-Core Complete Near Boiler Piping Kit
 Includes Double Ball Drain Manifold
 12" Flex Supply & Return Lines
 (2) 1 MIP Boiler Connections
 for Select Wall Hung Boilers



ITEM#	Connection Type	SIZE (in)	Carton Qty	Case Qty
H-4FK4-WIF	FIP	1 1/4 × 1	1	4
H-5FK4-WIF	SWT	1 1/4 × 1	1	4
H-8FK4-WIF	PRS	1 1/4 × 1	1	4

THIS SPACE FOR DESIGNER/ENGINEER APPROVAL

Job/Customer _____	Date _____	Contractor _____
Model Specified _____	Qty _____	Approved By _____
Designer/Engineer _____	Date _____	Contractor's PO# _____
Submitted By _____	Date _____	Other _____

Insulated Flex Piping & Connections

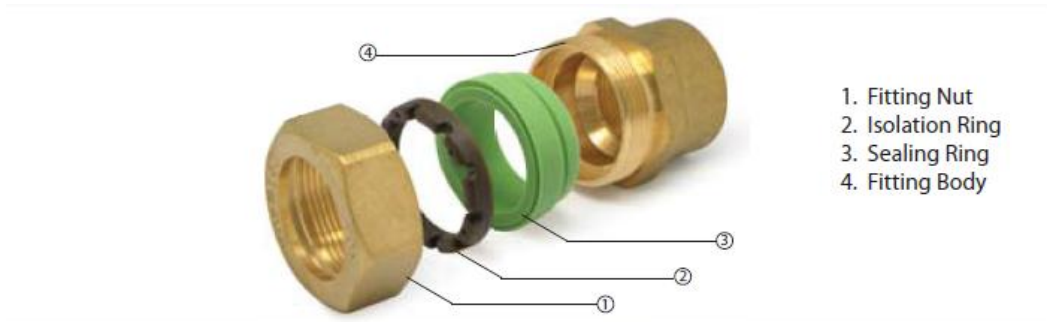
Fully Fabricated Supply & Return Lines
with Boiler Connections

Insulated Flexible Stainless Steel Tubing

Surface Temp: -74° to 300° F



TECHNICAL DATA					
Item	Hydro-Core Fittings				
Material	Brass				
Sealing Ring	Silicone				
Isolation Ring	Nylon 66/ Fiberglass High-Temperature Gasket				
Burst Pressure	1420 PSI				
Max Intermittent Temp	428 F				
Item	Hydro-Core Flexible Tubing				
Material	Stainless Steel 304 (ASTM A 240)				
Insulation	EPDM				
Connection Size (ID)	Pipe Length	SS Tubing Thickness	Insulation Thickness	Max Working Pressure	Min Bend Radius
¾"	12"	0.012	½"	176 PSI	3"
1"	12"	0.012	½"	147 PSI	3"



1. Fitting Nut
2. Isolation Ring
3. Sealing Ring
4. Fitting Body

Specifications: Designed for residential, commercial or industrial use with water or a glycol mixture in a closed loop Hydronic system. This approved Webstone piping assembly is designed for use with the Hydro-Core Manifold, in near boiler piping applications. Instructions for cutting flex pipe to custom lengths can be found at www.webstonevalves.com. Fitting must be disassembled prior to making any sweat connections in order to avoid damaging the seats and/or seals. See installation instructions for further details.



Quality and Commitment Since 1954

www.webstonevalves.com · P: (800) 225-9529 · F: (800) 336-5133

Webstone product specifications in U.S. customary units are approximate and are provided for reference only. Webstone reserves the right to change or modify product design, construction, specifications or materials without prior notice and without incurring any obligation to make such changes and modifications on Webstone products previously or subsequently sold.

Hydro-CoreFlexspec_100912