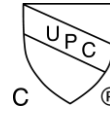


**THIS SPACE FOR DESIGNER/ENGINEER APPROVAL**

Job/Customer _____	Date _____	Contractor _____
Model Specified _____	Qty _____	Approved By _____
Designer/Engineer _____	Date _____	Contractor's PO# _____
Submitted by _____	Date _____	Other _____

**8170 Series**  
**Full Port Forged Brass Ball Valve**  
**w/ Adjustable Packing Gland**  
**Press**  
**250 CWP / 250°F Max**



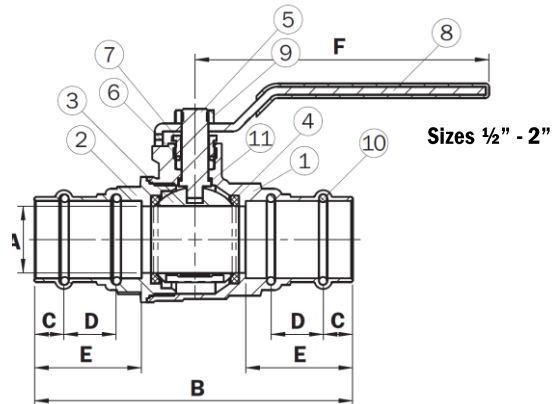
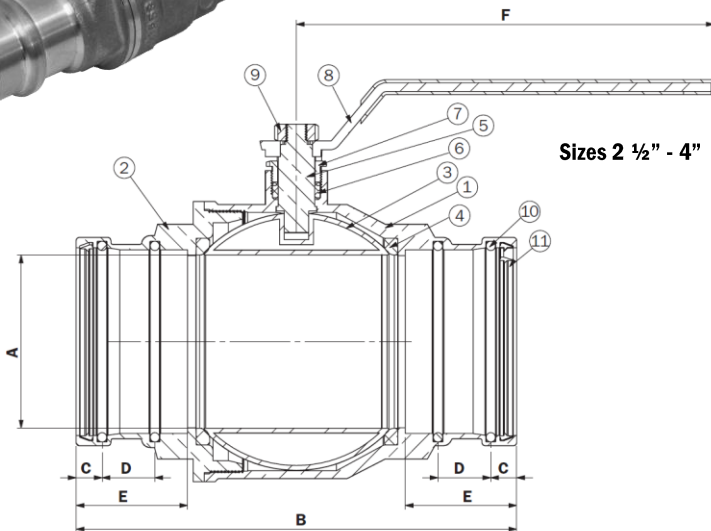
Standard brass products are certified to NSF/ANSI 61  
 Lead free products are certified to NSF/ANSI 61 & NSF/ANSI 372

STANDARD BRASS ITEM #	LEAD FREE ITEM #	SIZE	CTN/CASE	A	B	C	D	E	F
81702	81702W	1/2"	5/50	1/2	3 3/4	7/16	5/8	1 3/8	3 3/4
81703	81703W	3/4"	5/40	3/4	4 7/16	7/16	3/4	1 9/16	3 3/4
81704	81704W	1"	4/20	1	4 11/16	7/16	3/4	1 9/16	4 5/16
81705	81705W	1 1/4"	5/20	1 1/4	5 5/8	7/16	3/4	1 11/16	5 1/8
81706	81706W	1 1/2"	4/16	1 1/2	5 7/8	1/2	7/8	1 7/8	5 1/8
81707	81707W	2"	2/8	2	7	5/8	1	2 2/16	6 5/16
--	81708W	2 1/2"	1/1	2 1/2	7	5/8	7/8	1 7/8	9 7/16
--	81709W	3"	1/1	3	8 1/8	5/8	7/8	2 1/8	9 7/16
--	81710W	4"	1/1	4	10	5/8	1 3/16	2 1/2	9 7/16



TEMP °F	PSI
100	250
250	200

NO.	DESCRIPTION	MATERIAL
1	Body	No Lead Brass
2	End Cap	No Lead Brass
3	Ball	Brass CP (1/2" - 2") Stainless Steel (2 1/2" - 4")
4	Seat	PTFE
5	Stem	No Lead Brass (1/2" - 2") Stainless Steel (2 1/2" - 4")
6	Packing Gland	PTFE
7	Packing Nut	Brass
8	Handle	Steel CP
9	Hex Nut	Stainless Steel
10	O-Ring	EPDM
11	Sealing Ring (1/2" - 2") Compression Ring (2 1/2" - 4")	PTFE Steel CP



**Specifications:** Designed for residential, commercial or industrial use with water only. This approved Webstone valve is actuated by a blowout proof stem and features an adjustable packing gland. Items larger than 2" are outfitted with an XLC compatible end.

Quality and Commitment Since 1954

www.webstonevalves.com · P: (800) 225-9529 · F: (800) 336-5133

Webstone product specifications in U.S. customary units are approximate and are provided for reference only. Webstone reserves the right to change or modify product design, construction, specifications or materials without prior notice and without incurring any obligation to make such changes and modifications on Webstone products previously or subsequently sold.

8170-8170Wspec\_040114