

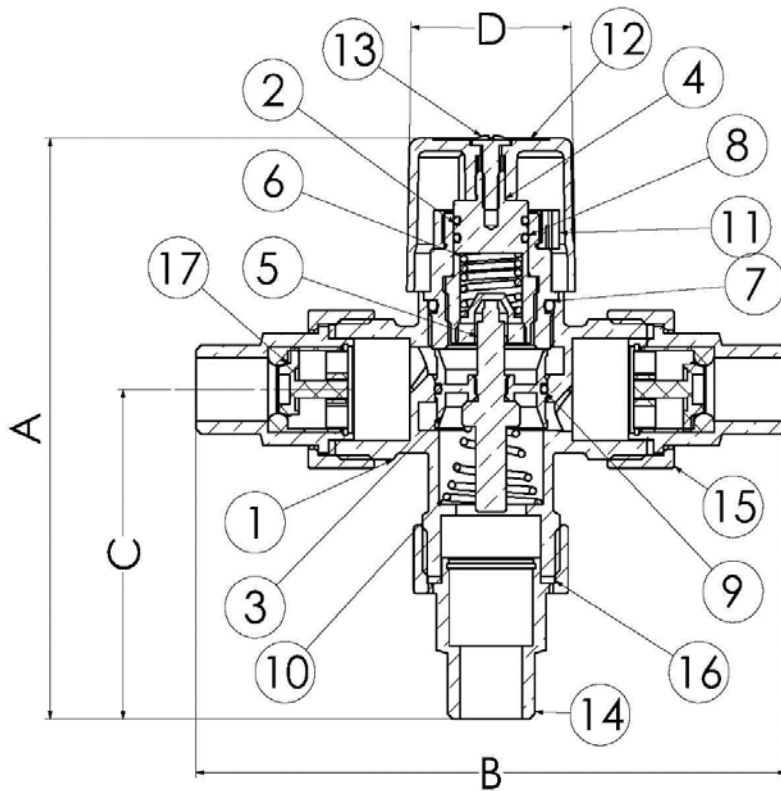
Thermostatic Mixing Valve w/ Integral Check Valves
 Forged Brass Valve
 w/ Temperature Locking Handle
 & G1 Union Connections
 For High Temperature Hydronic Applications
 Outlet Temperature Range 104° - 176°F
 Lead Free
 Max Operating Pressure: 150 PSI

| ITEM# | Connection | SIZE (in) | CTN | CASE | A | B | C | D |
|----------|------------|-----------|-----|------|------|------|------|------|
| H-71272W | F1807 PEX | 1/2 | 1 | 10 | 5.30 | 5.72 | 3.15 | 1.56 |
| H-71273W | F1807 PEX | 3/4 | 1 | 10 | 5.25 | 5.67 | 3.11 | 1.56 |
| H-72272W | FIP | 1/2 | 1 | 10 | 5.50 | 6.25 | 3.38 | 1.56 |
| H-72273W | FIP | 3/4 | 1 | 10 | 5.50 | 6.25 | 3.38 | 1.56 |
| H-72274W | FIP | 1 | 1 | 10 | 5.56 | 6.38 | 3.45 | 1.56 |
| H-73272W | F1960 PEX | 1/2 | 1 | 10 | 5.50 | 6.50 | 3.50 | 1.56 |
| H-73273W | F1960 PEX | 3/4 | 1 | 10 | 5.75 | 7.00 | 3.75 | 1.56 |
| H-74272W | MIP | 1/2 | 1 | 10 | 5.22 | 5.60 | 3.06 | 1.56 |
| H-74273W | MIP | 3/4 | 1 | 10 | 5.26 | 5.66 | 3.12 | 1.56 |
| H-74274W | MIP | 1 | 1 | 10 | 5.69 | 6.50 | 3.52 | 1.56 |
| H-75272W | CxC | 1/2 | 1 | 10 | 5.15 | 5.44 | 3.00 | 1.56 |
| H-75273W | CxC | 3/4 | 1 | 10 | 5.61 | 6.44 | 3.52 | 1.56 |
| H-75274W | CxC | 1 | 1 | 10 | 5.80 | 6.69 | 3.63 | 1.56 |
| H-78272W | Press | 1/2 | 1 | 10 | 5.75 | 6.56 | 3.56 | 1.56 |
| H-78273W | Press | 3/4 | 1 | 10 | 6.00 | 7.06 | 3.75 | 1.56 |
| H-78274W | Press | 1 | 1 | 10 | 6.00 | 7.06 | 3.75 | 1.56 |

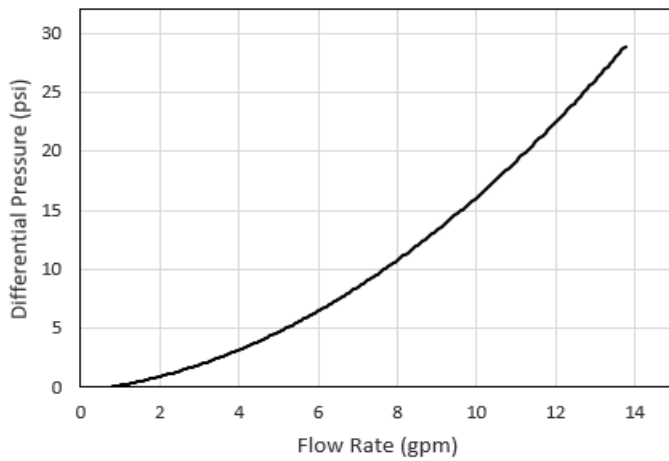


| | |
|--|---------------------------|
| Hot Inlet Temperature Range | 120 - 203°F (49 - 95°C) |
| Cold Inlet Temperature Range | 39 - 80°F (4 - 27°C) |
| Working Pressure Range | 30 - 150 psi (2 - 10 bar) |
| Minimum Temperature Differential Between Hot Supply and Mixed Outlet ¹ | 20°F (11°C) |
| Maximum Inlet Pressure Ratio ² | 2:1 |
| Minimum Flow Rate <i>for optimal performance</i> | 0.5 gpm (2 L/min) |
| C _v | 2.5 |
| 1. Required minimum temperature difference between the mixed outlet and the hot supply to enable the valve to function correctly and ensure automatic reduction of outlet flow in the event of cold supply failure. 2. Maximum permitted variation in Hot/Cold or Cold/Hot supply pressure in order to control the outlet temperature to within ± 5°F. Excessive fluctuation in supply pressures may cause outlet temperature to be outside of specified tolerance. | |

Designed for residential or commercial use. Threaded ends comply with ANSI B1.20.1. Solder joint temperature ratings are per ASME B16.18 Annex A for 95-5 solder. Other solder materials have lower pressure/temperature limits. Do not silver braze or overheat valves when soldering.



Flow Rate by Pressure Differential



| NO. | DESCRIPTION | MATERIAL |
|-----|----------------|-------------------|
| 1 | Body | Brass |
| 2 | End Cap | Brass |
| 3 | Piston | Brass HCP |
| 4 | Spindle | Brass |
| 5 | Element | Wax Filled Copper |
| 6 | Spindle Spring | Stainless Steel |
| 7 | O-ring | EPDM |
| 8 | O-ring | EPDM |
| 9 | O-ring | EPDM |
| 10 | Spring | Stainless Steel |
| 11 | Locking Ring | Plastic |
| 12 | Adjustment Cap | Plastic |
| 13 | Locking Screw | Stainless Steel |
| 14 | Fitting | Brass |
| 15 | Union Nut | Brass |
| 16 | Gasket | EPDM |
| 17 | Check Valve | Plastic |