

Thermostatic Mixing Valve w/ Integral Check Valves

Forged Brass Valve

w/ Temperature Locking Handle

& G1 Union Connections

Outlet Temperature Range 95° - 131°F

Lead Free

Max Operating Pressure: 150 PSI

Certified to NSF/ANSI 61 & 372

Body (H-70000W) Certified to ASSE 1017, CSA B125.3



ITEM#	Connection	SIZE (in)	CTN	CASE	A	B	C	D
H-71202W	F1807 PEX	1/2	1	10	5.30	5.72	3.15	1.56
H-71203W	F1807 PEX	3/4	1	10	5.25	5.67	3.11	1.56
H-72202W	FIP	1/2	1	10	5.50	6.25	3.38	1.56
H-72203W	FIP	3/4	1	10	5.50	6.25	3.38	1.56
H-72204W	FIP	1	1	10	5.56	6.38	3.45	1.56
H-73202W-CE	F1960 PEX	1/2	1	10	5.50	6.50	3.50	1.56
H-73203W-CE	F1960 PEX	3/4	1	10	5.75	7.00	3.75	1.56
H-74202W	MIP*	1/2	1	10	5.22	5.60	3.06	1.56
H-74203W	MIP*	3/4	1	10	5.26	5.66	3.12	1.56
H-74204W	MIP*	1	1	10	5.69	6.50	3.52	1.56
H-75202W	CxC*	1/2	1	10	5.15	5.44	3.00	1.56
H-75203W	CxC*	3/4	1	10	5.61	6.44	3.52	1.56
H-75204W	CxC*	1	1	10	5.80	6.69	3.63	1.56
H-76202W	Push**	1/2	1	10	6.00	7.13	4.07	1.56
H-76203W	Push**	3/4	1	10	6.25	7.38	3.94	1.56
H-78202W	Press	1/2	1	10	5.75	6.56	3.56	1.56
H-78203W	Press	3/4	1	10	6.00	7.06	3.75	1.56
H-78204W	Press	1	1	10	6.00	7.06	3.75	1.56

*Certified to ASSE 1070

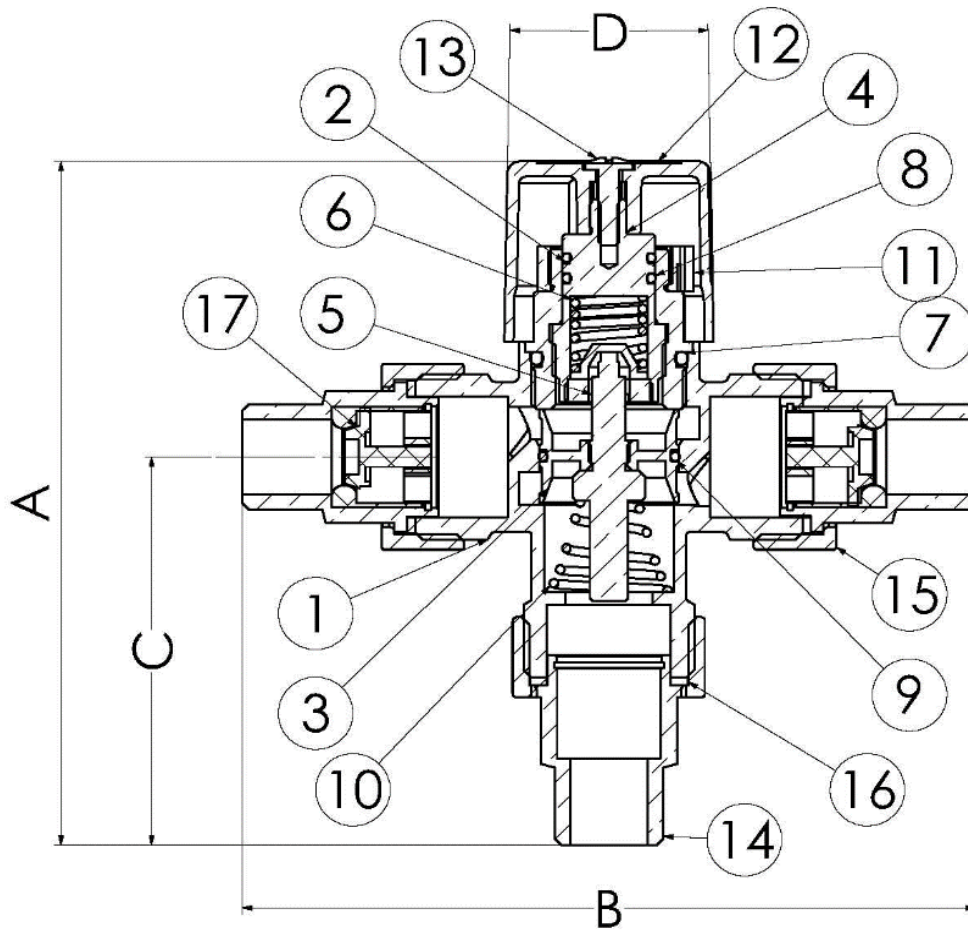
**Certified to ASSE 1061



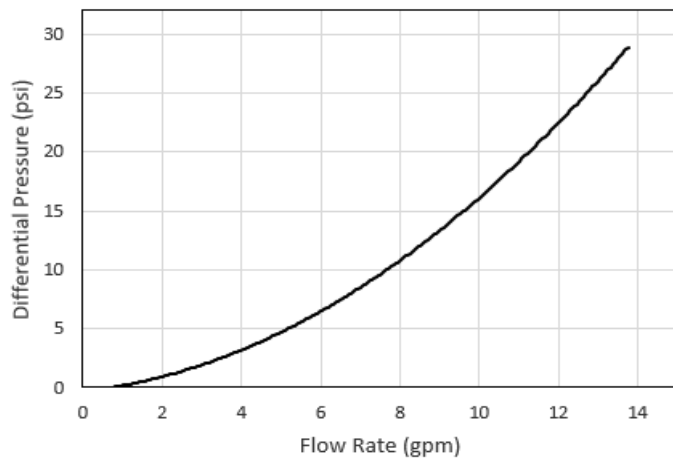
Hot Inlet Temperature Range	120 - 185°F (49 - 85°C)
Cold Inlet Temperature Range	39 - 80°F (4 - 27°C)
Outlet Temperature Stability ¹	± 5°F (3°C)
Working Pressure Range	30 - 150 psi (2 - 10 bar)
Minimum Temperature Differential Between Hot Supply and Mixed Outlet ²	20°F (11°C)
Maximum Inlet Pressure Ratio ³	2:1
Minimum Flow Rate <i>for optimal performance</i>	0.5 gpm (2 L/min)
C _v	2.5

1. As tested in accordance with ASSE 1017.
 2. Required minimum temperature difference between the mixed outlet and the hot supply to enable the valve to function correctly and ensure automatic reduction of outlet flow in the event of cold supply failure.
 3. Maximum permitted variation in Hot/Cold or Cold/Hot supply pressure in order to control the outlet temperature to within ± 5°F. Excessive fluctuation in supply pressures may cause outlet temperature to be outside of specified tolerance.

Designed for residential or commercial use. Threaded ends comply with ANSI B1.20.1. Solder joint temperature ratings are per ASME B16.18 Annex A for 95-5 solder. Other solder materials have lower pressure/temperature limits. Do not silver braze or overheat valves when soldering.



Flow Rate by Pressure Differential



NO.	DESCRIPTION	MATERIAL
1	Body	Brass
2	End Cap	Brass
3	Piston	Brass HCP
4	Spindle	Brass
5	Element	Wax Filled Copper
6	Spindle Spring	Stainless Steel
7	O-ring	EPDM
8	O-ring	EPDM
9	O-ring	EPDM
10	Spring	Stainless Steel
11	Locking Ring	Plastic
12	Adjustment Cap	Plastic
13	Locking Screw	Stainless Steel
14	Fitting	Brass
15	Union Nut	Brass
16	Gasket	EPDM
17	Check Valve	Plastic