

THIS SPACE FOR DESIGNER/ENGINEER APPROVAL

Job/Customer _____	Date _____	Contractor _____
Model Specified _____	Qty _____	Approved By _____
Designer/Engineer _____	Date _____	Contractor's PO# _____
Submitted by _____	Date _____	Other _____

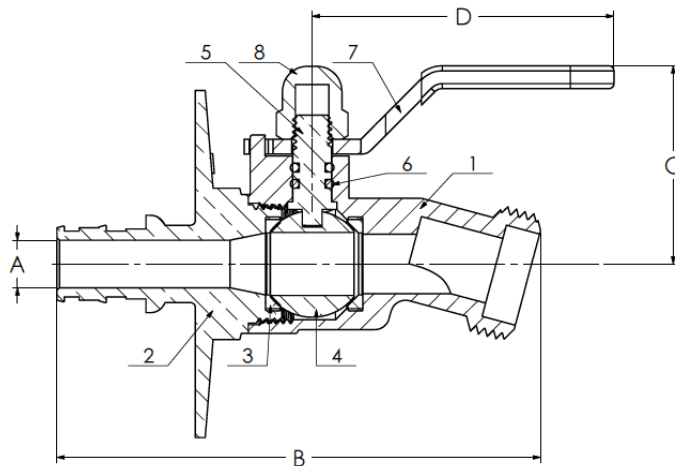
3320W Series

**Full Flow Forged Brass Silcock
 Nickel Plated w/ ¼ Turn Action
 & Stainless Steel Lever Handle
 ASTM F1960 PEX Flange x ¾ Male Hose
 Lead Free
 125 WOG**

ITEM #	SIZE	CTN	CASE	A	B	C	D
33202WSSL	1/2"	12	72	1/2"	3 3/4"	1 1/2"	2 5/16"



NO.	DESCRIPTION	MATERIAL
1	BODY	LEAD FREE BRASS
2	END CAP	LEAD FREE BRASS
3	SEAT	PTFE
4	BALL	LEAD FREE BRASS
5	STEM	LEAD FREE BRASS
6	O-RING	EPDM
7	HANDLE	STAINLESS STEEL
8	HANDLE NUT	STAINLESS STEEL



Specifications: 3320W Series Designed for residential, commercial or industrial use with water. Pex end dimensions are in accordance with ASTM F1960. This approved Webstone valve is actuated by a blowout proof stem. Threaded ends comply with ANSI B1.20.7



Quality and Commitment Since 1954

www.webstonevalves.com P: (800) 225-9529 F: (800) 336-5133

Webstone product specifications in U.S. customary units are approximate and are provided for reference only. Webstone reserves the right to change or modify product design, construction, specifications or materials without prior notice and without incurring any obligation to make such changes and modifications on Webstone products previously or subsequently sold.

3302WSpec_09242015