

THIS SPACE FOR DESIGNER/ENGINEER APPROVAL

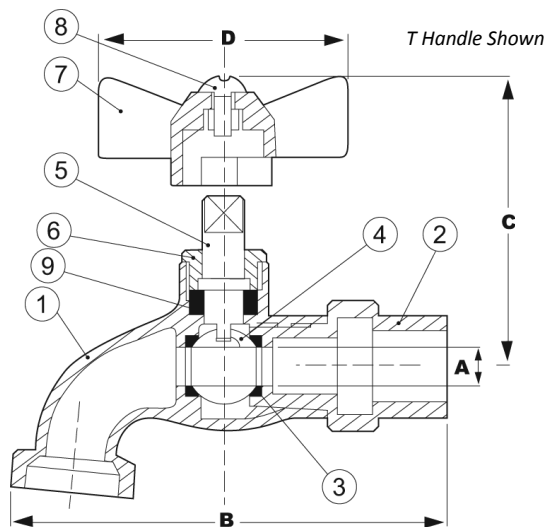
Job/Customer _____	Date _____	Contractor _____
Model Specified _____	Qty _____	Approved By _____
Designer/Engineer _____	Date _____	Contractor's PO# _____
Submitted by _____	Date _____	Other _____

3031 Series
Forged Brass Hose Bibbs
w/ Ball Valve Action
MIP x Hose
125 WOG

Lead free products are certified to
 NSF/ANSI 61-G



LEAD FREE ITEM #	SIZE	CTN	CASE	A	B	C	D
30314W	1/2"	12	72	1/4	3 3/4	1 9/16	2
30316W	3/4"	12	72	1/4	3 5/8	1 11/16	2



NO.	DESCRIPTION	MATERIAL
1	BODY	BRASS
2	END CAP	BRASS
3	SEATS	PTFE
4	BALL	BRASS HCP
5	STEM	BRASS
6	PACKING GLAND	BRASS
7	HANDLE	ZINC w/ EPOXY COATING
8	STEM SEAL	PTFE
9	HANDLE SCREW	BRASS

TEMP °F	WOG
100	200
150	200
200	200

Specifications: Designed for residential, commercial or industrial use with water. This approved Webstone valve features an adjustable packing gland. Hose ends comply with ANSI B1.20.7. Solder joint temperature ratings are per ASME B16.18 Annex A for 95-5 solder. Other solder materials have lower pressure/temperature limits. Do not silver braze or over heat valves when soldering. *1/2" models are MIP or SWT x Hose.



Quality and Commitment Since 1954

www.webstonevalves.com P: (800) 225-9529 F: (800) 336-5133

Webstone product specifications in U.S. customary units are approximate and are provided for reference only. Webstone reserves the right to change or modify product design, construction, specifications or materials without prior notice and without incurring any obligation to make such changes and modifications on Webstone products previously or subsequently sold.

3031-3031Wspec_112712