



H-2244x Series

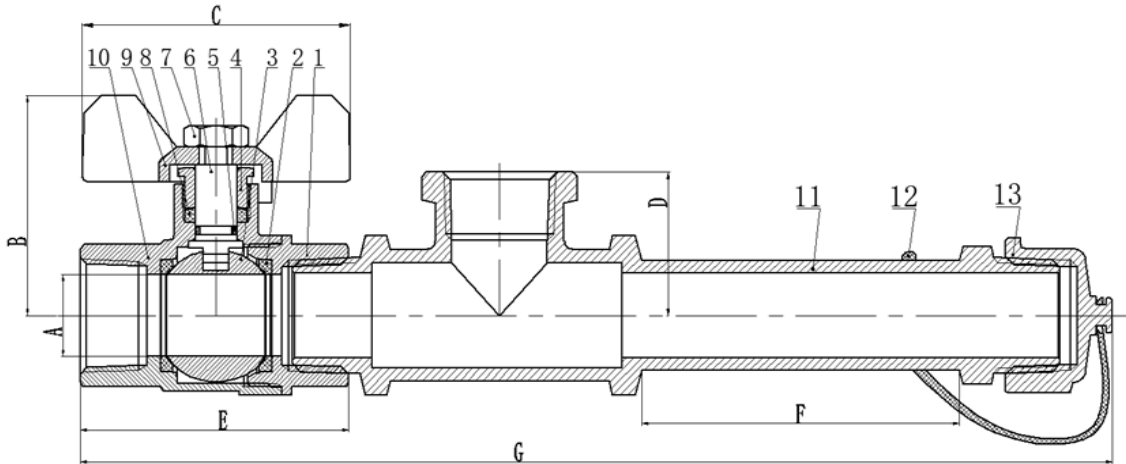
Gas Sediment Trap
Full Port Forged Brass Gas Ball Valve
w/ 3" Tee Fitting & Cap

Certifications

Valve: ANSI Z21.15 & CSA 9.1



PATENTS PENDING		
NO.	DESCRIPTION	MATERIAL
1	Body	Brass
2	Seat	PTFE
3	Ball	Brass/Chrome Plated
4	Packing Nut	Brass
5	O-Ring	NBR
6	Stem	Brass
7	Handle Nut	Plated Steel
8	Packing	PTFE
9	Handle	Aluminum
10	Cap	Brass
11	Gas Sediment Trap	Brass
12	Strap	PVC
13	Cap	Brass



This approved Webstone valve is designed residential and commercial use with gas. Threaded ends comply with ASME B1.20.1.

ITEM#	Connection Type	SIZE (in)	Max Temp	Pressure Rating	A	B	C	D	E	F	G
H-22442	FIP	1/2	149°F Max	1/2 PSI Max	0.39	1.44	1.28	1.12	2.20	2.99	8.86
H-22443	FIP	3/4	149°F Max	1/2 PSI Max	0.59	1.54	1.28	1.31	2.36	3.00	9.75