



## H-2244x-24-FP Series

Gas Sediment Trap Kit  
Full Port Forged Brass Gas Ball Valve  
w/ 3" Tee Fitting, Cap  
& 24" Gas Flex Line

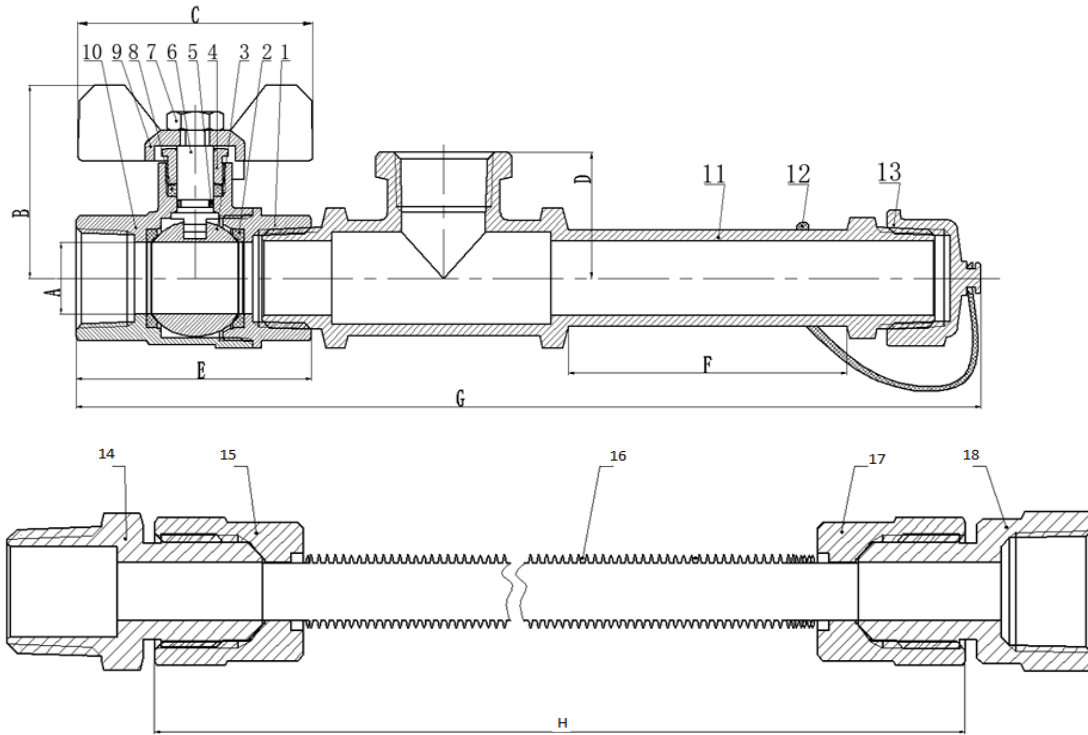
### Certifications

Flex Line: ANSI Z21.24 & CSA 6.10 - Valve: ANSI Z21.15 & CSA 9.1



PATENTS PENDING

| NO. | DESCRIPTION       | MATERIAL            |
|-----|-------------------|---------------------|
| 1   | Body              | Brass               |
| 2   | Seat              | PTFE                |
| 3   | Ball              | Brass/Chrome Plated |
| 4   | Packing Nut       | Brass               |
| 5   | O-Ring            | NBR                 |
| 6   | Stem              | Brass               |
| 7   | Handle Nut        | Plated Steel        |
| 8   | Packing           | PTFE                |
| 9   | Handle            | Aluminum            |
| 10  | Cap               | Brass               |
| 11  | Gas Sediment Trap | Brass               |
| 12  | Strap             | PVC                 |
| 13  | Cap               | Brass               |
| 14  | Fitting           | Plated Steel        |
| 15  | Pipe End          | Plated Steel        |
| 16  | Corrugated Pipe   | Stainless steel     |
| 17  | Pipe End          | Plated Steel        |
| 18  | Fitting           | Plated Steel        |



This approved Webstone valve is designed residential and commercial use with gas. Threaded ends comply with ASME B1.20.1.

| ITEM#         | Connection Type | SIZE (In) | Max Temp  | Pressure Rating | A    | B    | C    | D    | E    | F    | G    | H     | MAX BTU |
|---------------|-----------------|-----------|-----------|-----------------|------|------|------|------|------|------|------|-------|---------|
| H-22442-24-FP | FIP             | 1/2       | 149°F Max | 1/2 PSI Max     | 0.39 | 1.44 | 1.28 | 1.12 | 2.20 | 2.99 | 8.86 | 22.00 | 150,000 |
| H-22443-24-FP | FIP             | 3/4       | 149°F Max | 1/2 PSI Max     | 0.59 | 1.54 | 1.28 | 1.31 | 2.36 | 3.00 | 9.75 | 22.00 | 290,000 |

WEBSTONE, A BRAND OF NIBCO · E: WEBSTONE@NIBCO.COM · P: (800) 225-9529 F: (800) 336-5133 · WWW.WEBSTONEVALVES.COM