



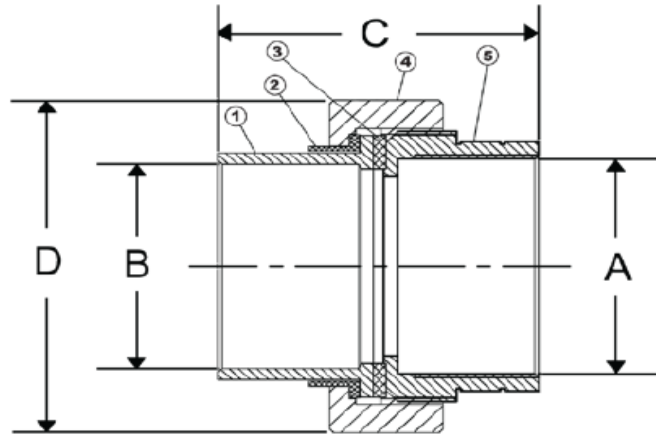
H-0110W Series

Dielectric Union
Galvanized Steel & Brass
w/ Nylon Insulator Ring

Lead-Free



NO.	DESCRIPTION	MATERIAL
1	SWT Fitting	Lead-Free Brass
2	Union Insulator	Nylon & Fiberglass
3	Union Washer	NBR
4	Union Nut	Steel CP
5	FIP Fitting	Steel CP



Designed for residential, commercial or industrial use with water, oil or gas. Threaded ends comply with ANSI B1.20.1. Solder joint temperature ratings are per ASME B16.18 Annex A for 95-5 solder. Other solder materials have lower pressure/temperature limits. Do not silver braze or overheat valves when soldering

ITEM#	Connection Type	SIZE (in)	Max Temp	A	B	C	D
H-01102W	FIP x SWT	1/2	232°F Max	0.50	0.63	1.88	1.38
H-01103W	FIP x SWT	3/4	232°F Max	0.75	0.88	2.13	1.63
H-01104W	FIP x SWT	1	232°F Max	1.00	1.13	2.38	1.88
H-01105W	FIP x SWT	1 1/4	232°F Max	1.25	1.38	2.63	2.25
H-01106W	FIP x SWT	1 1/2	232°F Max	1.50	1.63	2.75	2.75
H-01107W	FIP x SWT	2	232°F Max	2.00	2.13	3.13	3.50
H-01132W	FIP x SWT	3/4 x 1/2	232°F Max	0.75	0.63	2.00	1.63



