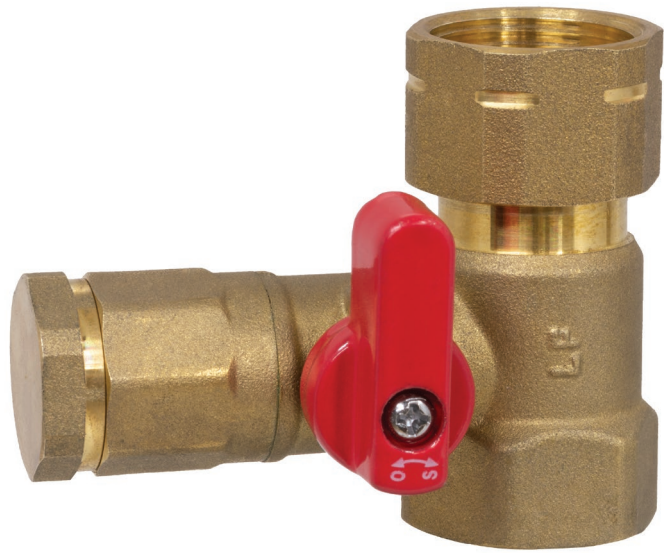


H-G067W Series

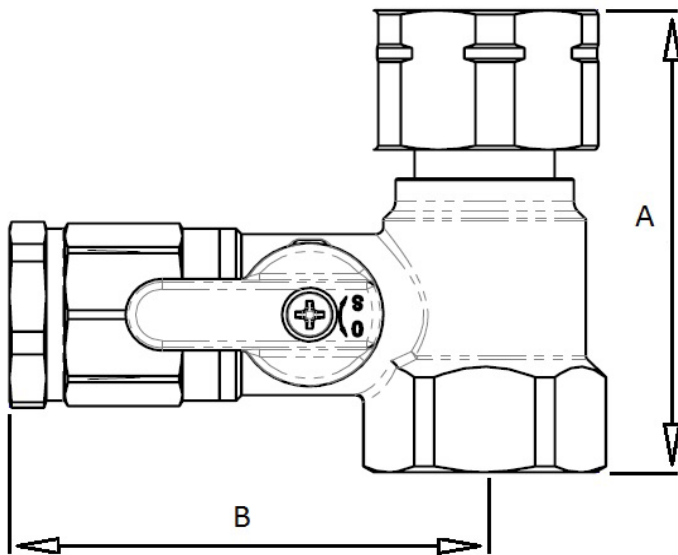
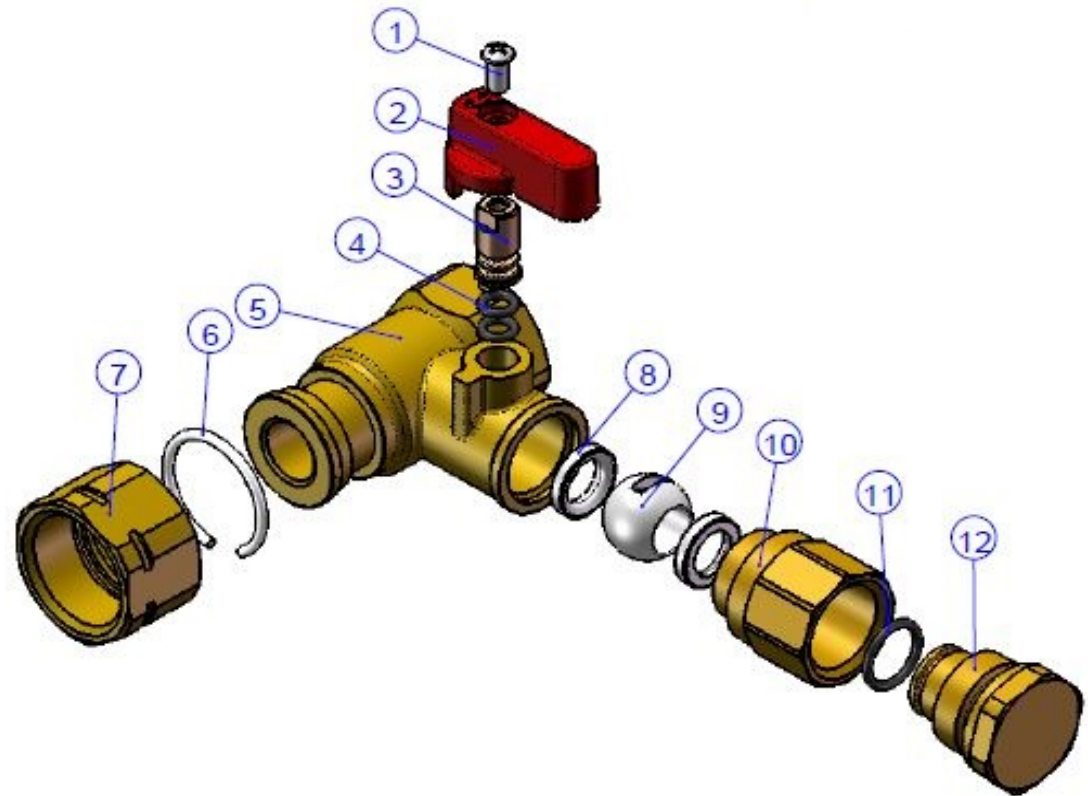
Water Heater Tempering By-Pass Valve
 Forged DZR Brass Valve
 w/ 1/2 Plugged FIP Port
 For Direct Connection to High-Temp. Appliance

Certifications

Certified to NSF/ANSI 61 & 372
 Lead-Free



NO.	DESCRIPTION	MATERIAL
1	Screw	Stainless Steel
2	Handle	Aluminum
3	Stem	Lead Free DZR Brass
4	Stem Seal	EPDM
5	Body	Lead Free DZR Brass
6	Retaining Ring	Stainless Steel
7	Union Nut	Brass
8	Seat	PTFE
9	Ball	Brass HCP
10	Cap	Lead Free DZR Brass
11	O-Ring	EPDM
12	Plug	Lead Free DZR Brass



Designed for use with Webstone water heater tempering valve models H-74303W, H-74313W & H-78313W.

ITEM#	Connection Type	SIZE (in)	Pressure Rating	Max. Temp.	A	B
H-G0673W	G3/4 Union x FIP	3/4	150 PSI	194 °F Max	2.50	2.63

