

**THIS SPACE FOR DESIGNER/ENGINEER APPROVAL**

Job/Customer _____	Date _____	Contractor _____
Model Specified _____	Qty _____	Approved By _____
Designer/Engineer _____	Date _____	Contractor's PO# _____
Submitted by _____	Date _____	Other _____

# 9170W Series

**Full Port Forged Brass Ball Valves  
w/ Adjustable Packing Gland & Reversible Handle  
Lead Free**

**Female PP-R Metric Socket  
Manufactured for use with Aquatherm® PP-R Piping  
Max. Operating Pressure: 355 PSI\*\*  
ISO 9001 - Patented Technology**



Lead free products are certified to NSF/ANSI 61 & NSF/ANSI 372

LEAD FREE ITEM#	METRIC PIPE SIZE	SIZE*	CTN	CASE	A	B	C	D
91702W	20	1/2"	5	50	1/2	4 1/8	2	3 7/8
91703W	25	3/4"	5	40	3/4	4 5/16	2 1/16	3 7/8
91704W	32	1"	4	20	1	5 3/16	2 5/8	4 5/8
91705W	40	1 1/4"	5	20	1 1/4	5 3/4	3	4 5/8
91706W	50	1 1/2"	4	16	1 1/2	6 3/8	3 1/2	5 5/8
91707W	63	2"	2	8	2	7 1/8	4	5 5/8



NO.	DESCRIPTION	MATERIAL
1	BODY	BRASS with PP-R
2	END CAP	BRASS with PP-R
3	SEAT	PTFE
4	BALL	BRASS HCP
5	STEM	BRASS
6	STEM SEAL	PTFE
7	PACKING GLAND	BRASS
8	LEVER HANDLE	STEEL CP
9	HANDLE JACKET	VINYL
10	HANDLE NUT	STAINLESS STEEL

TEMP °F	PSI	TEMP °F	PSI
73	355	130	210
80	337	140	185
90	312	150	164
100	286	160	143
110	261	170	121
120	236	180	100

\*PP-R Sockets are manufactured based on metric units of measurement. Imperial nominal diameter is provided as reference only.  
\*\*Overall pressure rating at 73°F. Further restrictions determined by intended operating conditions and limitations specific to the system design. Maximum pressure rating for the seat and body alone is 600 PSI.



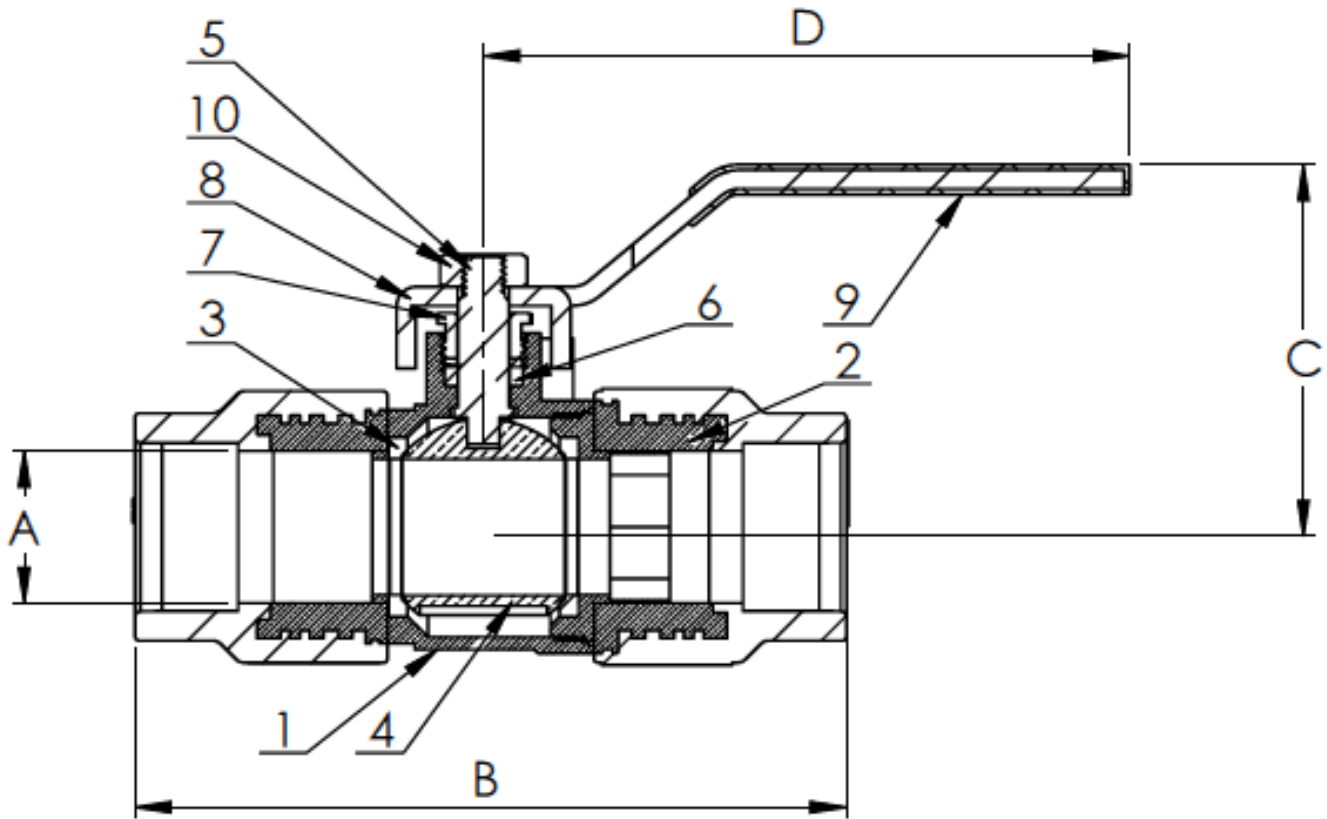
Quality and Commitment Since 1954

www.webstonevalves.com · P: (800) 225-9529 · F: (800) 336-5133

Webstone product specifications in U.S. customary units are approximate and are provided for reference only. Webstone reserves the right to change or modify product design, construction, specifications or materials without prior notice and without incurring any obligation to make such changes and modifications on Webstone products previously or subsequently sold.

**THIS SPACE FOR DESIGNER/ENGINEER APPROVAL**

Job/Customer _____	Date _____	Contractor _____
Model Specified _____	Qty _____	Approved By _____
Designer/Engineer _____	Date _____	Contractor's PO# _____
Submitted by _____	Date _____	Other _____



**Specifications:** Designed for residential, commercial or industrial use with water, oil or gas. This approved Webstone valve is actuated by a blowout proof stem and features an adjustable packing gland. Socket end dimensions are in accordance with ASTM F 2389 Metric Series. Aquatherm® is a registered trademark of [aquatherm GmbH](http://www.aquatherm.com) used with permission. Visit [www.aquatherm.com](http://www.aquatherm.com) for additional information related to the PP-R socket ends, PP-R pipe and fittings, and socket fusion welding.



Quality and Commitment Since 1954

[www.webstonevalves.com](http://www.webstonevalves.com) · P: (800) 225-9529 · F: (800) 336-5133

Webstone product specifications in U.S. customary units are approximate and are provided for reference only. Webstone reserves the right to change or modify product design, construction, specifications or materials without prior notice and without incurring any obligation to make such changes and modifications on Webstone products previously or subsequently sold.

9170wspec\_122815