

**THIS SPACE FOR DESIGNER/ENGINEER APPROVAL**

Job/Customer _____	Date _____	Contractor _____
Model Specified _____	Qty _____	Approved By _____
Designer/Engineer _____	Date _____	Contractor's PO# _____
Submitted by _____	Date _____	Other _____

# 9061W Series

**Full Port Forged Brass Ball Valve  
w/ Hi-Flow Hose Drain**

**Adjustable Packing Gland & Reversible Handle**

**Lead Free**

**Female PP-R Metric Socket**

**Manufactured for use with Aquatherm® PP-R Piping Systems**

**Max. Operating Pressure: 355 PSI\*\***

**ISO 9001 - Patented Technology**



Lead free products  
are certified to  
NSF/ANSI 61  
& NSF/ANSI 372

LEAD FREE ITEM#	METRIC PIPE SIZE	SIZE*	CTN	CASE	A	B	C	D	E	F
90613W	25	3/4"	4	32	3/4	4 5/16	2 1/16	3 7/8	2 3/8	1/2
90614W	32	1"	2	20	1	5 3/16	2 5/8	4 5/8	2 1/2	1/2
90615W	40	1 1/4"	2	16	1 1/4	5 3/4	3	4 5/8	3	3/4
90616W	50	1 1/2"	1	8	1 1/2	6 3/8	3 1/2	5 5/8	3 1/16	3/4
90617W	63	2"	1	6	2	7 1/8	4	5 5/8	4	3/4

\*PP-R Sockets are manufactured based on metric units of measurement. Imperial nominal diameter is provided as reference only.  
\*\*Overall pressure rating at 73°F. Further restrictions determined by intended operating conditions and limitations specific to the system design.  
Maximum pressure rating for the seat and body alone is 600 PSI.



TEMP °F	PSI
73	355
80	337
90	312
100	286
110	261
120	236
130	210
140	185
150	164
160	143
170	121
180	100



NO.	DESCRIPTION	MATERIAL
1	BODY	BRASS with PP-R
2	END CAP	BRASS with PP-R
3	SEAT	PTFE
4	BALL	BRASS HCP
5	STEM	BRASS
6	STEM SEAL	PTFE
7	PACKING GLAND	BRASS
8	LEVER HANDLE	STEEL CP
9	HANDLE JACKET	VINYL
10	HANDLE NUT	STAINLESS STEEL
11	END CAP	BRASS
12	SEAT	PTFE
13	BALL	BRASS HCP
14	STEM	BRASS
15	STEM SEAL	PTFE
16	PACKING GLAND	BRASS
17	HANDLE	ENAMEL COATED ALUMINUM
18	HANDLE SCREW	BRASS
19	CAP & STRAP	BRASS W/ PVC STRAP
20	WASHER	EPDM



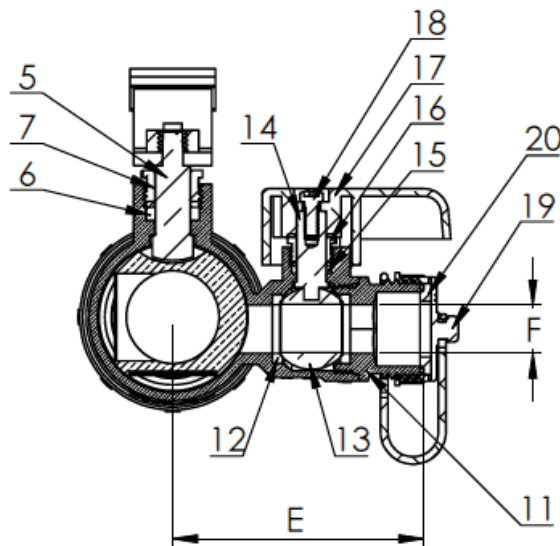
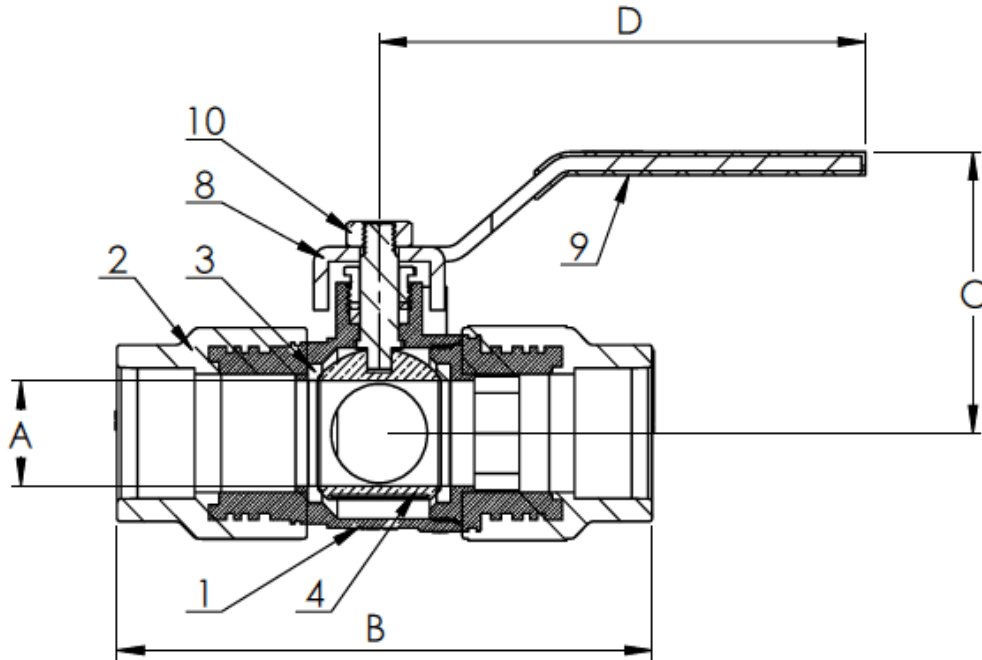
Quality and Commitment Since 1954

www.webstonevalves.com · P: (800) 225-9529 · F: (800) 336-5133

Webstone product specifications in U.S. customary units are approximate and are provided for reference only. Webstone reserves the right to change or modify product design, construction, specifications or materials without prior notice and without incurring any obligation to make such changes and modifications on Webstone products previously or subsequently sold.

**THIS SPACE FOR DESIGNER/ENGINEER APPROVAL**

Job/Customer _____	Date _____	Contractor _____
Model Specified _____	Qty _____	Approved By _____
Designer/Engineer _____	Date _____	Contractor's PO# _____
Submitted by _____	Date _____	Other _____



**Specifications:** Designed for residential, commercial or industrial use with water, oil or gas. This approved Webstone valve is actuated by a blowout proof stem and features an adjustable packing gland. Socket end dimensions are in accordance with ASTM F 2389 Metric Series. Aquatherm® is a registered trademark of [aquatherm GmbH](http://www.aquatherm.com) used with permission. Visit [www.aquatherm.com](http://www.aquatherm.com) for additional information related to the PP-R socket ends, PP-R pipe and fittings, and socket fusion welding.

**Webstone**  
VALVE INNOVATION

Quality and Commitment Since 1954

[www.webstonevalves.com](http://www.webstonevalves.com) · P: (800) 225-9529 · F: (800) 336-5133

Webstone product specifications in U.S. customary units are approximate and are provided for reference only. Webstone reserves the right to change or modify product design, construction, specifications or materials without prior notice and without incurring any obligation to make such changes and modifications on Webstone products previously or subsequently sold.

9061Wspec\_122815