

## 8861 Series

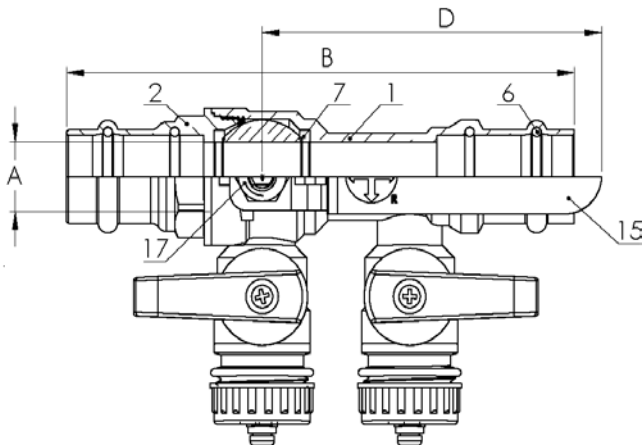
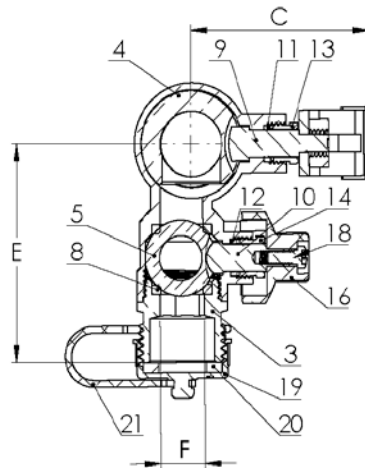
Pro-Pal Purge & Fill  
Full Port Forged Brass Ball Valve  
w/ (2) Hi-Flow Hose Drains,  
Reversible Handle  
& Adjustable Packing Glands  
Press

Max Operating Pressure: 250 CWP

Max Temperature: 250 F



ITEM#	SIZE (in)	CTN	CASE	A	B	C	D	E	F
88613	3/4 x 1/2	1	12	0.75	5.82	2.00	3.36	2.50	0.50
88614	1 x 1/2	1	12	1.00	6.06	2.45	4.65	2.70	0.50
88615	1 1/4 x 3/4	1	12	1.25	7.24	2.73	4.41	3.15	0.75
88616	1 1/2 x 3/4	1	6	1.50	7.45	3.31	5.59	3.35	0.75



NO.	DESCRIPTION	MATERIAL
1	Body	Brass
2	End Cap	Brass
3	Drain End Cap	Brass
4	Ball	Brass
5	Drain Ball	Brass
6	O-Ring	EPDM
7	Seats	PTFE
8	Drain Seats	PTFE
9	Stem	Brass
10	Drain Stem	Brass
11	Packing Gland	PTFE
12	Drain Packing Gland	PTFE
13	Packing Nut	Brass
14	Drain Packing Nut	Brass
15	Handle	Steel CP
16	Drain Handle	Aluminum
17	Handle Nut	Stainless Steel
18	Drain Handle Fastener	Stainless Steel
19	Drain Cap	Brass
20	Drain Cap Gasket	EPDM
21	Drain Cap Strap	PVC

Designed for residential, commercial or industrial use with water, oil or gas. This approved Webstone valve is actuated by a blowout proof stem and features an adjustable packing gland.