

8461 Series

Pro-Pal Ball Drain

Full Port Forged Brass Ball Valve

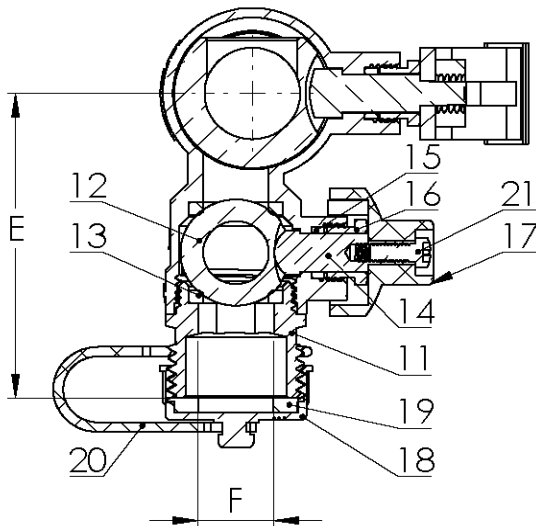
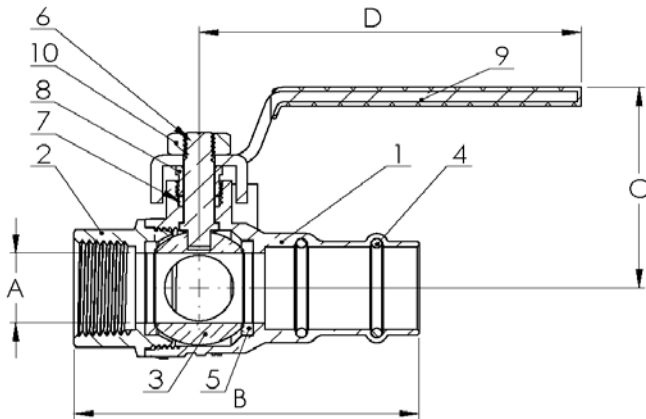
w/ Hi-Flow Hose Drain, Adjustable Packing Glands & Reversible Handle
Press x FIP

Max Operating Pressure: 250 CWP

ISO 9001



ITEM#	SIZE (in)	CTN	CASE	A	B	C	D
84613	3/4	4	32	0.75	3.52	2.63	3.50
84614	1	2	20	1.00	3.95	2.63	4.65



NO.	DESCRIPTION	MATERIAL
1	Body	Brass
2	End Cap	Brass
3	Ball	Brass
4	Press End Connection O-Ring	EPDM
5	Seats	PTFE
6	Stem	Brass
7	Packing Gland	PTFE
8	Packing Nut	Brass
9	Handle	Steel CP
10	Handle Nut	Stainless Steel
11	Drain End Cap	Brass
12	Drain Ball	Brass
13	Drain Seats	PTFE
14	Drain Stem	Brass
15	Drain Packing Gland	PTFE
16	Drain Packing Nut	Brass
17	Drain Handle	Aluminum
18	Drain Cap	Brass
19	Drain Cap Gasket	EPDM
20	Drain Cap Strap	PVC
21	Drain Handle Fastener	Stainless Steel

Designed for residential, commercial or industrial use with water, oil or gas. This approved Webstone valve is actuated by a blowout proof stem and features an adjustable packing gland