

THIS SPACE FOR DESIGNER/ENGINEER APPROVAL

Job/Customer _____	Date _____	Contractor _____
Model Specified _____	Qty _____	Approved By _____
Designer/Engineer _____	Date _____	Contractor's PO# _____
Submitted by _____	Date _____	Other _____

8444W Series

**Tankless Water Heater Service Valve Kits
Hot & Cold Set of Full Port Forged Brass Ball Valves
w/ Hi-Flow Hose Drains, Pressure Relief Valve Outlet
& Adjustable Packing Gland**

**IPS Union x Press
250 CWP
ISO 9001**



**LEAD FREE
CLEAN
BRASS**
THE CLEAR CHOICE
FOR THE PROFESSIONAL

Lead Free Products are
Certified to NSF/ANSI 61
& NSF/ANSI 372



The ISOLATOR[®]
E·X·P·E·2
TWH SERVICE VALVES

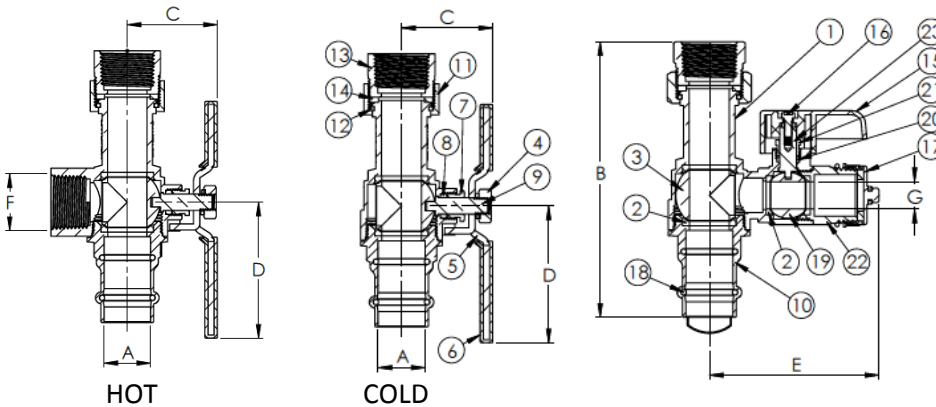
LEAD FREE ITEM#	SIZE	CTN	CASE	A	B	C	D	E	F	G
RESIDENTIAL PRESSURE RELIEF VALVE (150 PSI/200,000 BTU)										
84443WPR	3/4	1	10	3/4	5 1/4	1 5/8	2 5/8	2 3/4	3/4	1/2
84444WPR	1	1	10	1	5 3/4	2	2 3/8	2 3/4	3/4	3/4
RESIDENTIAL PRESSURE RELIEF VALVE (30 PSI/510,000 BTU)										
84443WPR3	3/4	1	10	3/4	5 1/4	1 5/8	2 5/8	2 3/4	3/4	1/2
84444WPR3	1	1	10	1	5 3/4	2	2 3/8	2 3/4	3/4	3/4
COMMERCIAL PRESSURE RELIEF VALVE (150 PSI/2,703,000 BTU) & 3/4" CLOSE NIPPLE										
84443WPR2	3/4	1	6	3/4	5 1/4	1 5/8	2 5/8	2 3/4	3/4	1/2
84444WPR2	1	1	6	1	5 3/4	2	2 3/8	2 3/4	3/4	3/4



TEMP °F	PSI
100	250
250	200

PATENTED TECHNOLOGY

NO.	DESCRIPTION	MATERIAL
1	BODY	BRASS
2	SEATS	PTFE
3	BALL	BRASS HCP
4	HANDLE NUT	STAINLESS STEEL
5	WING STYLE "T" HANDLE	STEEL CP
6	HANDLE JACKET	VINYL
7	PACKING GLAND	BRASS
8	STEM SEAL	PTFE
9	STEM	BRASS
10	END CAP	BRASS
11	UNION NUT	BRASS
12	RETAINING RING	STAINLESS STEEL
13	UNION FITTING	BRASS
14	WASHER	EPDM
15	DRAIN VALVE HANDLE	ENAMEL COATED ALUMINUM
16	DRAIN VALVE HANDLE SCREW	BRASS
17	CAP & STRAP	BRASS W/ EPDM HOSE WASHER & STRAP
18	O-RING	EPDM
19	BALL	BRASS
20	STEM SEAL	PTFE
21	PACKING GLAND	BRASS
22	END CAP	BRASS
23	STEM	BRASS



Included w/ 8444WPR/PR3	Included w/ 8444WPR2
Residential Pressure Relief Valve Available in 150 PSI / 200,000 BTU or 30 PSI / 510,000 BTU	Commercial Pressure Relief Valve 150 PSI / 2,703,000 BTU & 3/4" Close Nipple

Specifications: Designed for residential or commercial use with potable water. This approved Webstone valve is actuated by a blowout proof stem and features an adjustable packing gland. Threaded ends comply with ANSI B1.20.1.

Quality and Commitment Since 1954

www.webstonevalves.com · P: (800) 225-9529 · F: (800) 336-5133

Webstone product specifications in U.S. customary units are approximate and are provided for reference only. Webstone reserves the right to change or modify product design, construction, specifications or materials without prior notice and without incurring any obligation to make such changes and modifications on Webstone products previously or subsequently sold.

8444Wspec_022215

