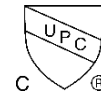




**8361 Series**

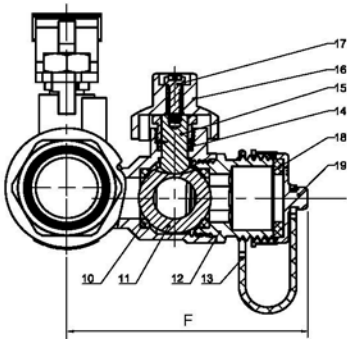
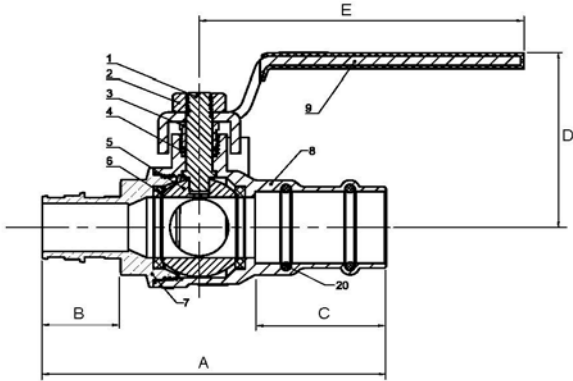
Pro-Pal Ball Drain  
Full Port Forged Dezincification Resistant Brass Ball Valve  
w/ Hi-Flow Hose Drain,  
Reversible Handle,  
& Adjustable Packing Glands  
Press x ASTM F1960 PEX  
Max Operating Pressure: 250 CWP  
Certified to NSF/ANSI 61 & 372, NSF/ANSI 14 & IAPMO ANSI Z1157  
ISO 9001



| ITEM#    | SIZE (in) | CTN | CASE | A    | B    | C    | D    | E    | F    |
|----------|-----------|-----|------|------|------|------|------|------|------|
| H-83612W | 1/2       | 4   | 40   | 3.49 | 0.70 | 1.38 | 2.29 | 3.37 | 2.98 |
| H-83613W | 3/4       | 4   | 32   | 4.16 | 0.94 | 1.57 | 2.61 | 3.37 | 2.89 |
| H-83614W | 1         | 2   | 20   | 4.80 | 1.17 | 1.57 | 2.64 | 4.65 | 3.06 |



Designed for residential, commercial or industrial use with water, oil or gas. This approved Webstone valve is actuated by a blowout proof stem and features an adjustable packing gland. PEX end dimensions comply with ASTM F1960



| NO. | DESCRIPTION        | MATERIAL               |
|-----|--------------------|------------------------|
| 1   | Stem               | Lead Free Brass        |
| 2   | Handle Nut         | Stainless Steel        |
| 3   | Packing Gland      | Brass                  |
| 4   | Stem Seal          | PTFE                   |
| 5   | Ball               | Lead Free Brass        |
| 6   | Seats              | PTFE                   |
| 7   | End Cap            | Lead Free Brass        |
| 8   | Body               | Lead Free Brass        |
| 9   | Handle             | Chrome Plated Steel    |
| 10  | Drain Seats        | PTFE                   |
| 11  | Drain Ball         | Lead Free Brass        |
| 12  | Drain End Cap      | Lead Free Brass        |
| 13  | Cover Strap        | PVC                    |
| 14  | Drain Stem Seal    | PTFE                   |
| 15  | Drain Stem         | Lead Free Brass        |
| 16  | Drain Handle       | Enamel Coated Aluminum |
| 17  | Drain Handle Screw | Stainless Steel        |
| 18  | Drain Cover Seal   | EPDM                   |
| 19  | Drain Cover        | Brass                  |
| 20  | O-Ring             | EPDM                   |