

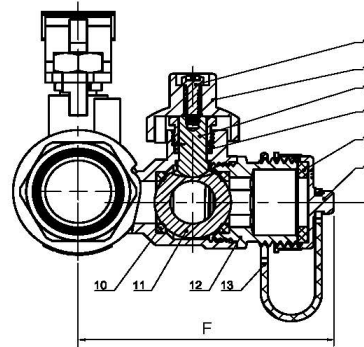
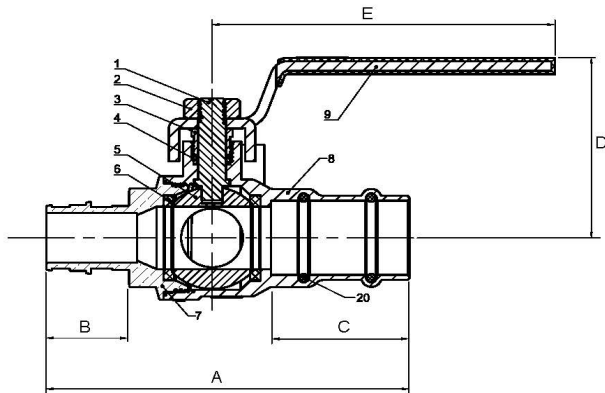
Pro-Pal Ball Drain
 Full Port Forged DZR Brass Ball Valve
 w/ Hi-Flow Hose Drain,
 Reversible Handle
 & Adjustable Packing Glands

Certifications

Certified to NSF/ANSI 61 & 372 NSF/ANSI 14



NO.	DESCRIPTION	MATERIAL
1	Stem	Lead Free Brass
2	Handle Nut	Stainless Steel
3	Packing Gland	Brass
4	Stem Seal	PTFE
5	Ball	Lead Free Brass
6	Seats	PTFE
7	End Cap	Lead Free Brass
8	Body	Lead Free Brass
9	Handle	Chrome Plated Steel
10	Drain Seats	PTFE
11	Drain Ball	Lead Free Brass
12	Drain End Cap	Lead Free Brass
13	Cover Strap	PVC
14	Drain Stem Seal	PTFE
15	Drain Stem	Lead Free Brass
16	Drain Handle	Enamel Coated Aluminum
17	Drain Handle Screw	Stainless Steel
18	Drain Cover Seal	EPDM
19	Drain Cover	Brass
20	O-Ring	EPDM



Designed for residential, commercial or industrial use with water, oil or gas. This approved Webstone valve is actuated by a blowout proof stem and features an adjustable packing gland. PEX end dimensions comply with the referenced ASTM specification.

ITEM#	Connection Type	SIZE (in)	Pressure Rating	Max Temp	A	B	C	D	E	F
H-81612W	Press x ASTM F1807 PEX	1/2	250 CWP PSI	250 F	3.44	0.65	1.38	2.29	3.37	2.98
H-81613W	Press x ASTM F1807 PEX	3/4	250 CWP PSI	250 F	3.86	0.65	1.57	2.61	3.37	2.89
H-81614W	Press x ASTM F1807 PEX	1	250 CWP PSI	250 F	4.45	0.82	1.57	2.64	4.65	3.06
H-81615W	Press x ASTM F1807 PEX	1 1/4	250 CWP PSI	250 F	5.04	0.95	1.70	3.05	4.41	3.50
H-81616W	Press x ASTM F1807 PEX	1 1/2	250 CWP PSI	250 F	5.64	1.15	1.85	3.30	5.60	3.75
H-81617W	Press x ASTM F1807 PEX	2	250 CWP PSI	250 F	6.94	1.50	2.12	3.70	5.60	3.90
H-83612W	Press x ASTM F1960 PEX	1/2	250 CWP PSI	250 F	3.49	0.70	1.38	2.29	3.37	2.98
H-83613W	Press x ASTM F1960 PEX	3/4	250 CWP PSI	250 F	4.16	0.94	1.57	2.61	3.37	2.89
H-83614W	Press x ASTM F1960 PEX	1	250 CWP PSI	250 F	4.80	1.17	1.57	2.64	4.65	3.06
H-83615W	Press x ASTM F1960 PEX	1 1/4	250 CWP PSI	250 F	5.53	1.43	1.70	3.05	4.41	3.50
H-83616W	Press x ASTM F1960 PEX	1 1/2	250 CWP PSI	250 F	6.18	1.69	1.85	3.30	5.60	3.75
H-83617W	Press x ASTM F1960 PEX	2	250 CWP PSI	250 F	7.57	2.13	2.13	3.70	5.60	3.90



WARNING: Cancer and Reproductive Harm. www.P65Warnings.ca.gov