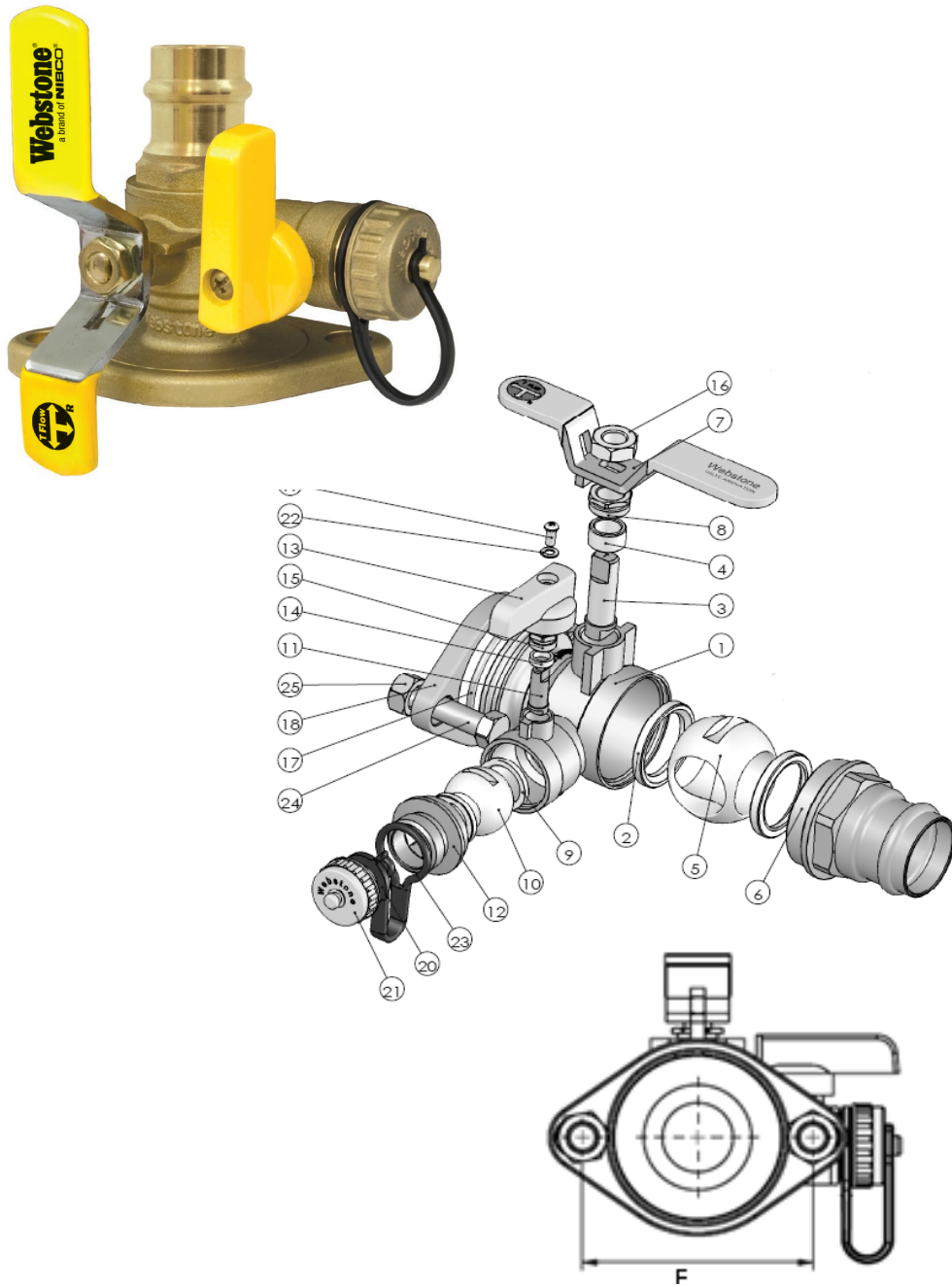


## H-8141W Series

The Isolator w/ Rotating Flange & Multi-Function Drain  
Full Port Forged Brass Uni-Flange Ball Valve  
w/ Detachable Rotating Flange,  
Multi-Function Hi-Flow Hose Drain,  
Adjustable Packing Glands,  
Nuts & Bolts

### Certifications

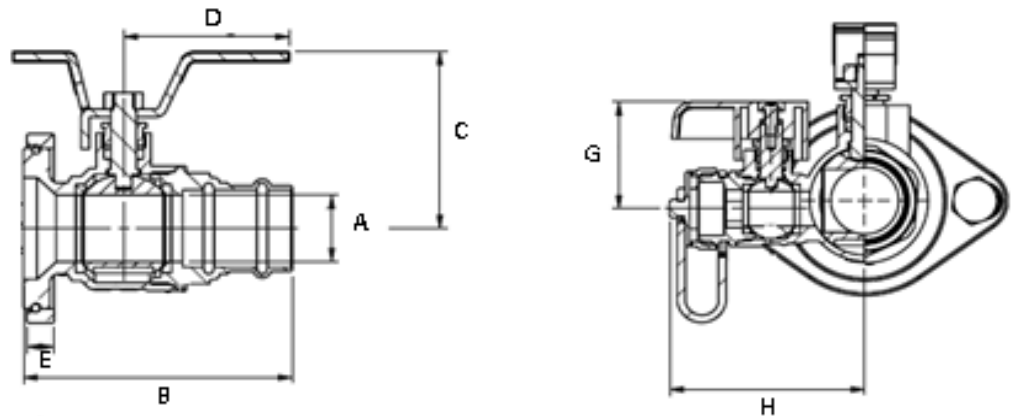
Certified to NSF/ANSI 61 & 372  
Lead-Free



## The ISOLATOR®

UNI-FLANGE BALL VALVE® PATENTED TECHNOLOGY

NO.	DESCRIPTION	MATERIAL
1	BODY	LEAD FREE BRASS
2	SEATS	PTFE
3	STEM	LEAD FREE BRASS
4	PACKING GLAND	PTFE
5	BALL	LEAD FREE BRASS
6	END CAP	LEAD FREE BRASS
7	HANDLE	CHROME PLATED STEEL
8	PACKING NUT	BRASS
9	DRAIN SEATS	PTFE
10	DRAIN BALL	LEAD FREE BRASS
11	DRAIN STEM	LEAD FREE BRASS
12	DRAIN END CAP	LEAD FREE BRASS
13	DRAIN HANDLE	ENAMEL COATED ALUMINUM
14	DRAIN PACKING GLAND	PTFE
15	DRAIN PACKING NUT	BRASS
16	HANDLE NUT	STAINLESS STEEL
17	RETAINING RING	STAINLESS STEEL
18	ROTATING FLANGE	BRASS
19	DRAIN HANDLE SCREW	STAINLESS STEEL
20	DRAIN CAP GASKET	EPDM
21	DRAIN CAP	BRASS
22	DRAIN HANDLE WASHER	STAINLESS STEEL
23	DRAIN CAP STRAP	PVC
24	FLANGE BOLTS	STAINLESS STEEL
25	FLANGE NUTS	STAINLESS STEEL



Designed for residential, commercial or industrial use with water, oil or gas. This approved Webstone valve is actuated by a blowout proof stem and features an adjustable packing nut. \*Slotted bolt holes accommodate both standard and high velocity pumps.

ITEM#	Connection Type	SIZE (in)	Pressure Rating	Max Temp	A	B	C	D	E	G	H
H-81413W	Press x Rotating Flange	3/4	50 PSI CWP M: 250°F Max		0.75	3.69	2.25	2.38	0.38	1.56	2.75
* H-81413WHV	Press x Rotating Flange	3/4	50 PSI CWP M: 250°F Max		0.75	3.69	2.25	2.38	0.38	1.56	2.75
H-81414W	Press x Rotating Flange	1	50 PSI CWP M: 250°F Max		1.00	3.88	2.63	3.38	0.38	1.56	2.81
* H-81414WHV	Press x Rotating Flange	1	50 PSI CWP M: 250°F Max		1.00	3.88	2.63	3.38	0.38	1.56	2.81
H-81415W	Press x Rotating Flange	1 1/4	50 PSI CWP M: 250°F Max		1.25	4.44	2.94	3.38	0.38	1.75	3.31
* H-81415WHV	Press x Rotating Flange	1 1/4	50 PSI CWP M: 250°F Max		1.25	4.44	2.94	3.38	0.38	1.75	3.31
H-81416W	Press x Rotating Flange	1 1/2	50 PSI CWP M: 250°F Max		1.50	5.00	3.19	3.38	0.38	1.75	3.50
* H-81416WHV	Press x Rotating Flange	1 1/2	50 PSI CWP M: 250°F Max		1.50	5.00	3.19	3.38	0.38	1.75	3.50
* H-81417WHV	Press x Rotating Flange	2	50 PSI CWP M: 250°F Max		2	5.81	3.56	3.38	0.38	1.75	3.75

