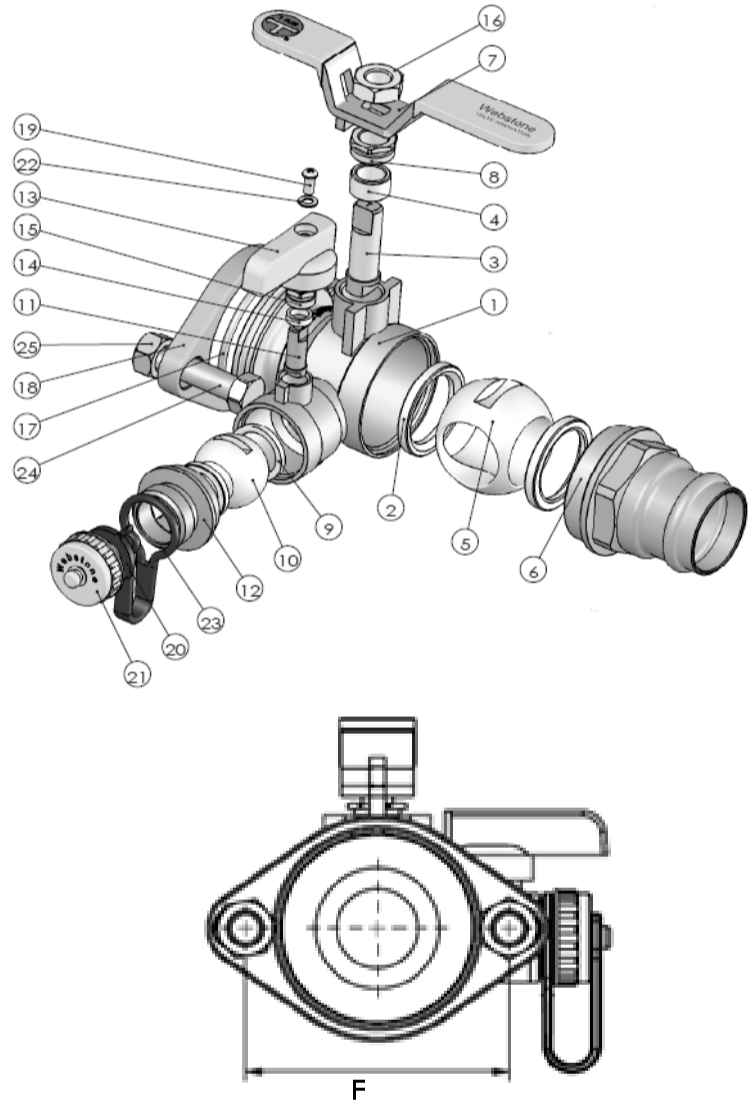




## H-8141 Series

The Isolator w/ Rotating Flange & Multi-Function Drain  
Full Port Forged Brass Uni-Flange Ball Valve  
w/ Detachable Rotating Flange,  
Multi-Function Hi-Flow Hose Drain,  
Adjustable Packing Glands,  
Nuts & Bolts

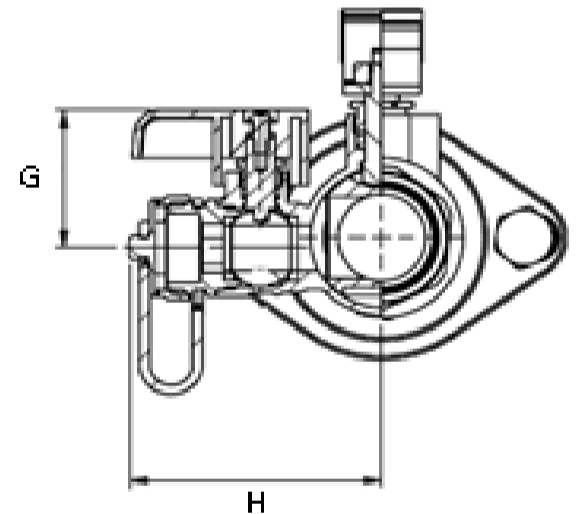
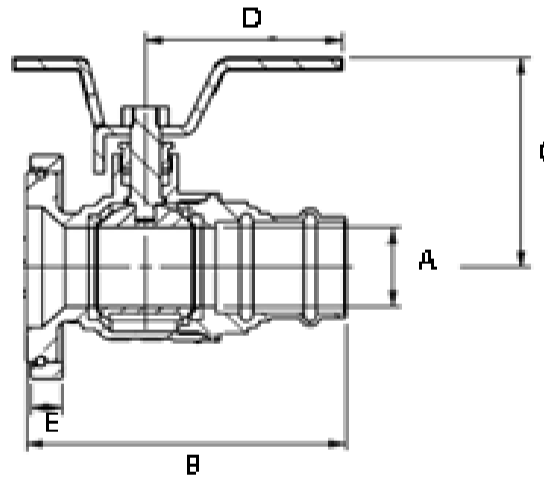


## The ISOLATOR®

UNI-FLANGE BALL VALVE®

PATENTED TECHNOLOGY

NO.	DESCRIPTION	MATERIAL
1	BODY	BRASS
2	SEAT	PTFE
3	STEM	BRASS
4	STEM SEAL	PTFE
5	BALL	BRASS CP
6	END CAP	BRASS
7	HANDLE	PLATED STEEL
8	PACKING GLAND	BRASS
9	DRAIN SEATS	PTFE
10	DRAIN BALL	BRASS CP
11	DRAIN STEM	BRASS
12	DRAIN END CAP	BRASS
13	DRAIN HANDLE	EPOXY COATED ALUMINUM
14	STEM SEAL	PTFE
15	PACKING GLAND	BRASS
16	HANDLE NUT	STAINLESS STEEL
17	RETAINER	STAINLESS STEEL
18	FLANGE	BRASS
19	SCREW	STAINLESS STEEL
20	GASKET	EPDM
21	CAP	BRASS
22	WASHER	STAINLESS STEEL
23	STRAP	PVC
24	FLANGE BOLTS	STAINLESS STEEL
25	HEX NUTS	STAINLESS STEEL



Designed for residential, commercial or industrial use with water, oil or gas. This approved Webstone valve is actuated by a blowout proof stem and features an adjustable packing nut. \*Slotted bolt holes accommodate both standard and high velocity pumps.

ITEM#	Connection Type	SIZE (in)	Pressure Rating	Max Temp	A	B	C	D	E	F	G	H
H-81413	Press x Rotating Flange	3/4	250 PSI CWP Max	250°F Max	0.75	3.69	2.25	2.38	0.38	3.19	1.56	2.75
* H-81413HV	Press x Rotating Flange	3/4	250 PSI CWP Max	250°F Max	0.75	3.69	2.25	2.38	0.38	3.19	1.56	2.75
H-81414	Press x Rotating Flange	1	250 PSI CWP Max	250°F Max	1.00	3.88	2.63	3.38	0.38	3.19	1.56	2.81
* H-81414HV	Press x Rotating Flange	1	250 PSI CWP Max	250°F Max	1.00	3.88	2.63	3.38	0.38	3.19	1.56	2.81
H-81415	Press x Rotating Flange	1 1/4	250 PSI CWP Max	250°F Max	1.25	4.44	2.94	3.38	0.38	3.19	1.75	3.31
* H-81415HV	Press x Rotating Flange	1 1/4	250 PSI CWP Max	250°F Max	1.25	4.44	2.94	3.38	0.38	3.19	1.75	3.31
H-81416	Press x Rotating Flange	1 1/2	250 PSI CWP Max	250°F Max	1.50	5.00	3.19	3.38	0.38	3.19	1.75	3.50
* H-81416HV	Press x Rotating Flange	1 1/2	250 PSI CWP Max	250°F Max	1.50	5.00	3.19	3.38	0.38	3.19	1.75	3.50
* H-81417HV	Press x Rotating Flange	2	250 PSI CWP Max	250°F Max	2	5.81	3.56	3.38	0.38	3.69	1.75	3.75

