

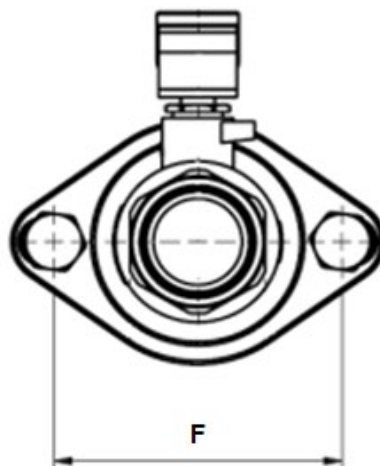
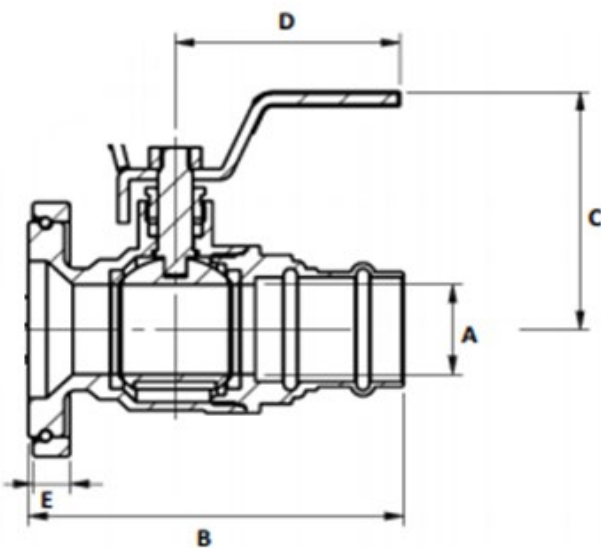


## H-8140W Series

The Isolator w/ Rotating Flange  
Full Port Forged Brass Uni-Flange Ball Valve  
w/ Detachable Rotating Flange,  
Adjustable Packing Gland,  
Nuts & Bolts

### Certifications

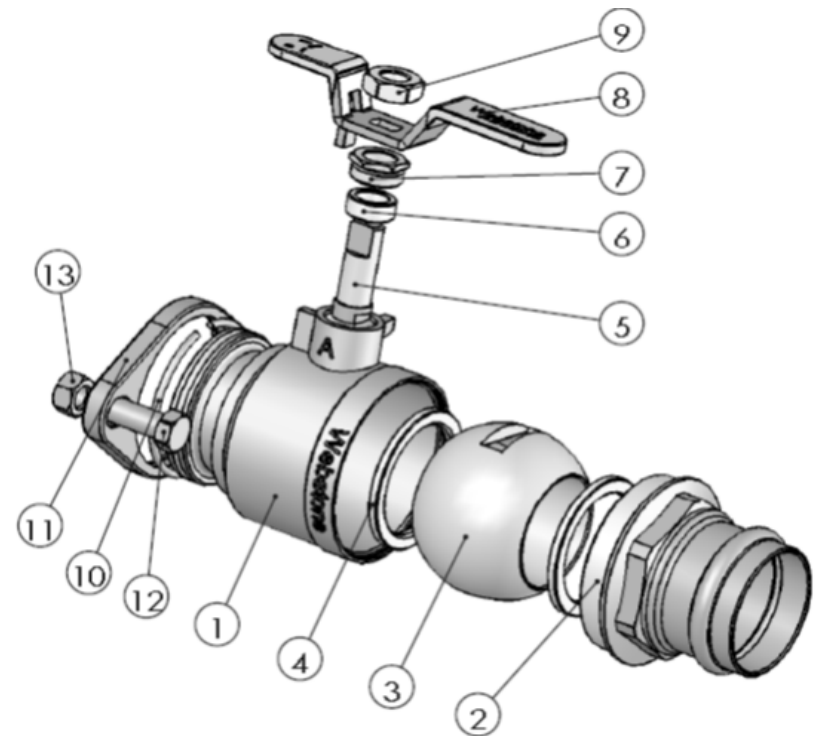
Certified to NSF/ANSI 61 & 372  
Lead-Free



## The ISOLATOR®

UNI-FLANGE BALL VALVE®

NO.	DESCRIPTION	MATERIAL
1	BODY	LEAD-FREE BRASS
2	END CAP	LEAD-FREE BRASS
3	BALL	BRASS CP
4	SEAT	PTFE
5	STEM	BRASS
6	PACKING GLAND	PTFE
7	PACKING NUT	BRASS
8	HANDLE	STEEL CP
9	HANDLE NUT	STAINLESS STEEL
10	ROTATING FLANGE RING	STAINLESS STEEL
11	ROTATING FLANGE	BRASS
12	FLANGE BOLTS	STAINLESS STEEL
13	FLANGE NUTS	STAINLESS STEEL



Designed for residential, commercial or industrial use with water, oil or gas. This approved Webstone valve is actuated by a blowout proof stem and features an adjustable packing nut. \*Slotted holes accommodate both standard and high velocity pumps.

ITEM#	Connection Type	SIZE (in)	Pressure Rating	Max Temp	A	B	C	D	E	F
H-81403W	Press x Rotating Flange	3/4	250 PSI CWP Max	250°F Max	0.75	3.31	2.13	2.38	0.38	3.19
* H-81403WHV	Press x Rotating Flange	3/4	250 PSI CWP Max	250°F Max	0.75	3.31	2.13	2.38	0.38	3.19
H-81404W	Press x Rotating Flange	1	250 PSI CWP Max	250°F Max	1.00	4.00	2.63	3.38	0.38	3.19
* H-81404WHV	Press x Rotating Flange	1	250 PSI CWP Max	250°F Max	1.00	4.00	2.63	3.38	0.38	3.19
H-81405W	Press x Rotating Flange	1 1/4	250 PSI CWP Max	250°F Max	1.25	4.44	2.94	3.38	0.38	3.19
* H-81405WHV	Press x Rotating Flange	1 1/4	250 PSI CWP Max	250°F Max	1.25	4.44	2.94	3.38	0.38	3.19
H-81406W	Press x Rotating Flange	1 1/2	250 PSI CWP Max	250°F Max	1.50	4.94	3.19	3.38	0.38	3.19
* H-81406WHV	Press x Rotating Flange	1 1/2	250 PSI CWP Max	250°F Max	1.50	4.94	3.19	3.38	0.38	3.19
* H-81407WHV	Press x Rotating Flange	2	250 PSI CWP Max	250°F Max	2	5.81	3.56	3.38	0.38	3.69

