

8067W Series

Pro-Pal T-Drain

Full Port Forged Brass Ball Valve

w/ Hi-Flow Hose Drain

Press

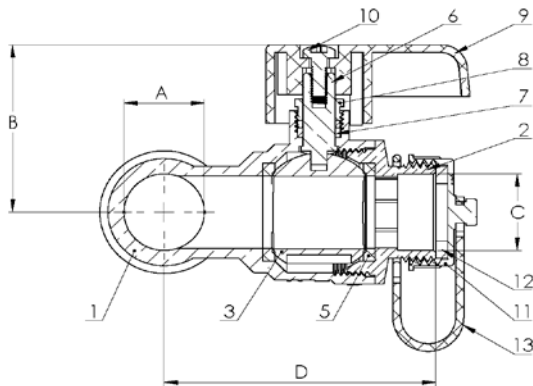
Max Operating Pressure: 250 CWP

ISO 9001



Certified to NSF/ANSI 61-G

ITEM#	SIZE (in)	CTN	CASE	A	B	C	D
80672W	1/2	4	40	0.50	1.58	0.50	2.88
80673W	3/4	4	16	0.75	1.74	0.75	3.06
80674W	1	4	16	1.00	1.74	0.75	3.06
80675W	1 1/4	4	16	1.25	1.74	0.75	3.06



NO.	DESCRIPTION	MATERIAL
1	Body	Lead Free Brass
2	Drain End Cap	Lead Free Brass
3	Drain Ball	Lead Free Brass
4	Press End Connection O-Ring	EPDM
5	Drain Seats	PTFE
6	Drain Stem	Lead Free Brass
7	Drain Packing Gland	PTFE
8	Drain Packing Nut	Brass
9	Drain Handle	Aluminum
10	Drain Handle Fastener	Stainless Steel
11	Drain Cap	Brass
12	Drain Cap Gasket	EPDM
13	Drain Cap Strap	PVC

Specifications: Designed for residential, commercial or industrial use with water, oil or gas. This approved Webstone valve is actuated by a blowout proof stem and features an adjustable packing gland

