

THIS SPACE FOR DESIGNER/ENGINEER APPROVAL

Job/Customer _____	Date _____	Contractor _____
Model Specified _____	Qty _____	Approved By _____
Designer/Engineer _____	Date _____	Contractor's PO# _____
Submitted by _____	Date _____	Other _____

7810W Series
Thermostatic Mixing Valve
w/ Temperature Locking Handle (95-131 °F Models)



Press
Suitable for Low-Temp Hydronic
& Water Distribution Systems
Lead Free - 150 PSI Max Working Pressure



ASSE 1017
 CSA B125.3
 NSF/ANSI 61, NSF/ANSI 372

ITEM #	SIZE	CTN	CASE	A (in.)	B (in.)	C (in.)	D (in.)
Output Temperature : 95 - 131°F (35 - 55°C)							
78102W	½"	1	10	5.75	6.56	3.56	1.56
78103W	¾"	1	10	6.00	7.06	3.75	1.56
78104W	1"	1	10	6.00	7.06	3.75	1.56
Output Temperature : 95 - 120°F (35 - 49°C)							
78102W-CAN	½"	1	10	5.75	6.56	3.56	1.56
78103W-CAN	¾"	1	10	6.00	7.06	3.75	1.56
78104W-CAN	1"	1	10	6.00	7.06	3.75	1.56

*Dimensions for reference only



Hot Inlet Temperature Range	120 - 185°F (49 - 85°C)
Cold Inlet Temperature Range	39 - 80°F (4 - 27°C)
Outlet Temperature Stability ¹	± 5°F (3°C)
Working Pressure Range	30 - 150 psi (2 - 10 bar)
Minimum Temperature Differential Between Hot Supply and Mixed Outlet ²	20°F (11°C)
Maximum Inlet Pressure Ratio ³	2:1
Minimum Flow Rate for optimal performance	0.5 gpm (2 L/min)
C _v	2.5
1. As tested in accordance with ASSE 1017. 2. Required minimum temperature difference between the mixed outlet and the hot supply to enable the valve to function correctly and ensure automatic reduction of outlet flow in the event of cold supply failure. 3. Maximum permitted variation in Hot/Cold or Cold/Hot supply pressure in order to control the outlet temperature to within ± 5°F. Excessive fluctuation in supply pressures may cause outlet temperature to be outside of specified tolerance.	

*Product meets low lead requirements and is constructed of materials containing a lead content of less than 0.25% by weight.

*Base TMV unit (70000W) certified by CSA to ASSE 1017, CSA B125.3, NSF/ANSI 61, and NSF/ANSI 372



Quality and Commitment Since 1954

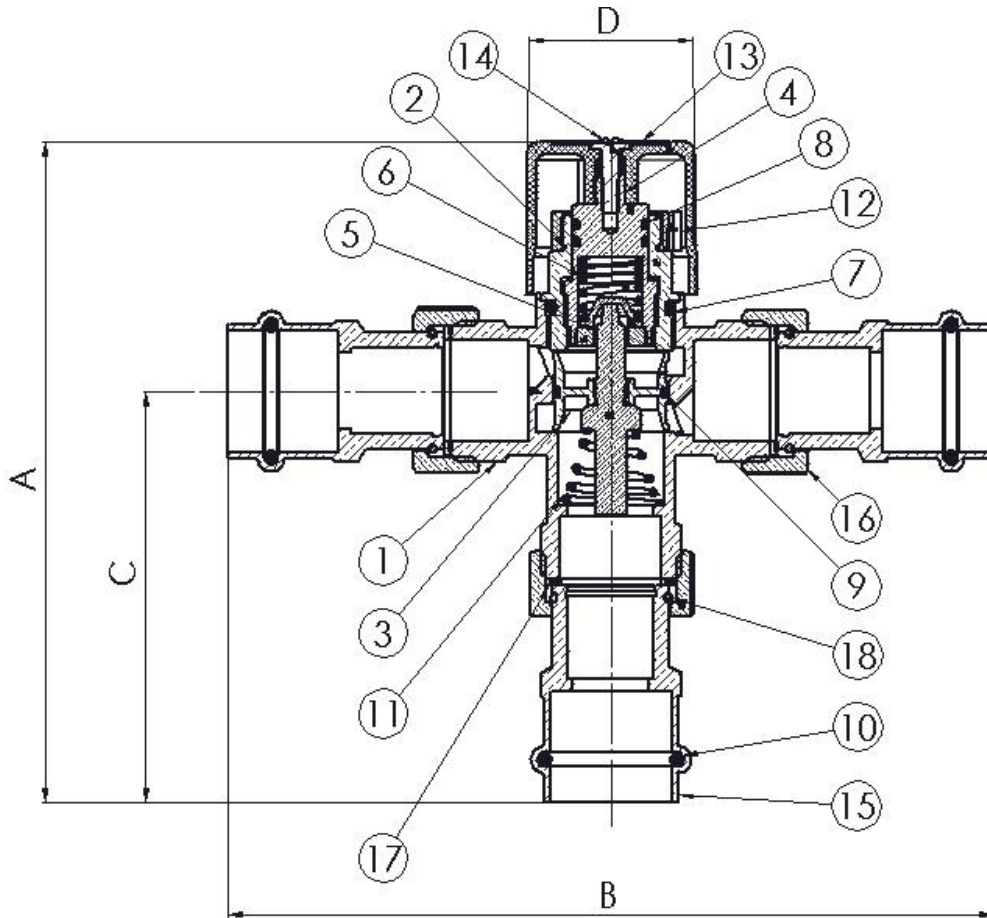
www.webstonevalves.com · Tel: (800) 225-9529 · Fax (800) 336-5133

Webstone product specifications in U.S. customary units are approximate and are provided for reference only. Webstone reserves the right to change or modify product design, construction, specifications or materials without prior notice and without incurring any obligation to make such changes and modifications on Webstone products previously or subsequently sold.

7810WSpec_1024016

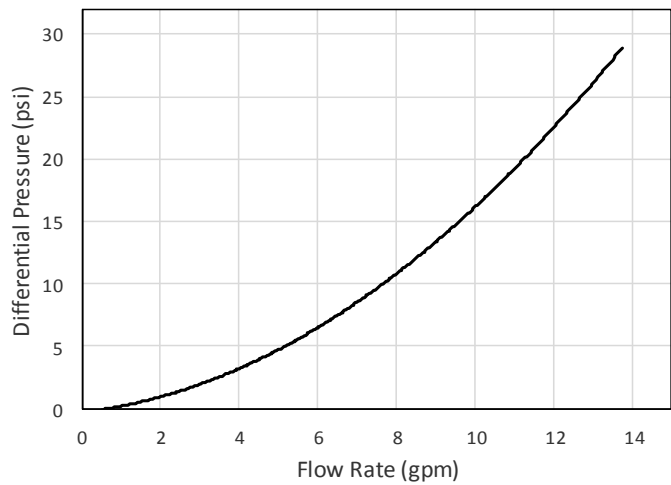
THIS SPACE FOR DESIGNER/ENGINEER APPROVAL

Job/Customer _____	Date _____	Contractor _____
Model Specified _____	Qty _____	Approved By _____
Designer/Engineer _____	Date _____	Contractor's PO# _____
Submitted by _____	Date _____	Other _____



NO.	DESCRIPTION	MATERIAL
1	BODY	BRASS
2	END CAP	BRASS
3	PISTON	BRASS HCP
4	SPINDLE	BRASS
5	ELEMENT	WAX FILLED COPPER
6	SPINDLE SPRING	STAINLESS STEEL
7	O-RING	EPDM
8	O-RING	EPDM
9	O-RING	EPDM
10	O-RING	NBR
11	SPRING	STAINLESS STEEL
12	LOCKING RING	PLASTIC
13	ADJUSTMENT CAP	PLASTIC
14	LOCKING SCREW	STAINLESS STEEL
15	PRESS FITTING	BRASS
16	UNION NUT	BRASS
17	GASKET	FIBRE H
18	RING	STEEL

Flow Rate by Pressure Differential



*For reference only, actual flows may vary depending on system temperatures and pressures.



Quality and Commitment Since 1954

www.webstonevalves.com · Tel: (800) 225-9529 · Fax (800) 336-5133

Webstone product specifications in U.S. customary units are approximate and are provided for reference only. Webstone reserves the right to change or modify product design, construction, specifications or materials without prior notice and without incurring any obligation to make such changes and modifications on Webstone products previously or subsequently sold.

7810WSpec_1024016