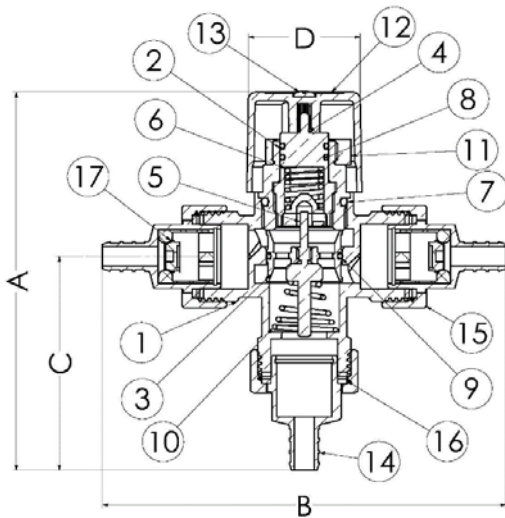


7120 Series

Thermostatic Mixing Valve w/ Integral Check Valve
 Forged Brass Valve
 w/ Temperature Locking Handle
 For Low Temp Hydronic Heat and Water Distribution Systems
 Outlet Temperature Range 95-131 F
 ASTM F1807 PEX
 Max Operating Pressure: 150 PSI
 Certified to NSF/ANSI 61 & 372, ASSE 1017, CSA B125.3
 ISO 9001



ITEM#	SIZE (in)	CTN	CASE	A	B	C	D
H-71202W	1/2	1	10	5.30	5.72	3.15	1.56
H-71202W-CAN	1/2	1	10	5.30	5.72	3.15	1.56



NO.	DESCRIPTION	MATERIAL
1	Body	Brass
2	End Cap	Brass
3	Piston	Brass HCP
4	Spindle	Brass
5	Element	Wax Filled Copper
6	Spindle Spring	Stainless Steel
7	O-ring	EPDM
8	O-ring	EPDM
9	O-ring	EPDM
10	Spring	Stainless Steel
11	Locking Ring	Plastic
12	Adjustment Cap	Plastic
13	Locking Screw	Stainless Steel
14	PEX Fitting	Brass
15	Union Nut	Brass
16	Gasket	EPDM
17	Check Valve	Plastic

Base TMV unit (H-70000W) certified by CSA to ASSE 1017, CSA B125.3, NSF/ANSI 61, and NSF/ANSI 372. End connection fittings certified by Truesdail to NSF/ANSI 61 and NSF/ANSI 372.

Hot Inlet Temperature Range	120 - 185°F (49 - 85°C)
Cold Inlet Temperature Range	39 - 80°F (4 - 27°C)
Outlet Temperature Stability ¹	± 5°F (3°C)
Working Pressure Range	30 - 150 psi (2 - 10 bar)
Minimum Temperature Differential Between Hot Supply and Mixed Outlet ²	20°F (11°C)
Maximum Inlet Pressure Ratio ³	2:1
Minimum Flow Rate for optimal performance	0.5 gpm (2 L/min)
C _v	2.5

1. As tested in accordance with ASSE 1017.
 2. Required minimum temperature difference between the mixed outlet and the hot supply to enable the valve to function correctly and ensure automatic reduction of outlet flow in the event of cold supply failure.
 3. Maximum permitted variation in Hot/Cold or Cold/Hot supply pressure in order to control the outlet temperature to within ± 5°F. Excessive fluctuation in supply pressures may cause outlet temperature to be outside of specified tolerance.