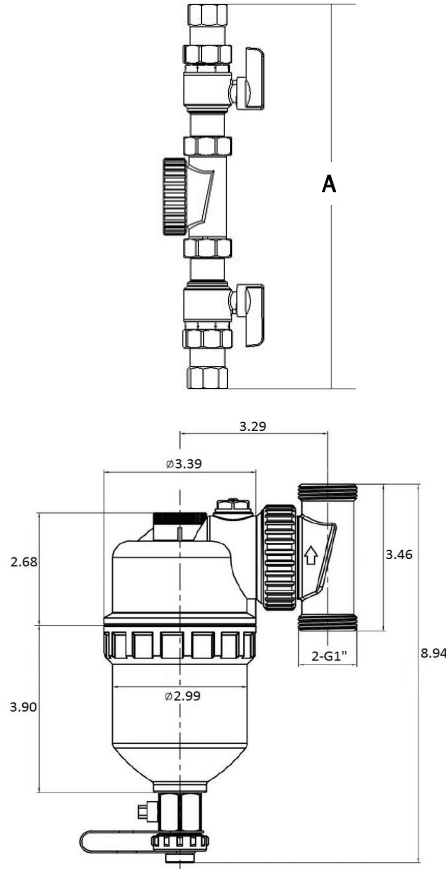


## 7071 Series

Magnetic Boiler Filter  
 12,000 Gauss Magnet, Diverter & G1 Union Connections  
 Integrated Hose Drain Valve, Air Vent & Filter  
 with (2) G1 Isolation Valves (Includes Service Tool)



NO.	DESCRIPTION	MATERIAL
1	Magnet Stick	Magnet
2	O-ring	Rubber
3	Magnet Cover	Nickel Plated Brass
4	Upper Half of Body	Plastic
5	Plastic Screen Filter	Plastic
6	O-ring	Rubber
7	Lower Half of Body	Plastic
8	Injector	Brass
9	O-Ring	Rubber
10	Drainer	Brass
11	Drainer Stem	Brass
12	Drainer	Brass
13	Rubber Ring	Rubber
14	Cap	Brass
15	Gasket	Rubber
16	Drainer	Brass
17	Valve Ball Seat	Teflon
18	Valve Ball	Brass
19	Vent Valve	Brass
20	O-Ring	Rubber
21	O-Ring	Rubber
22	Diverter Clip Ring	Stainless Steel
23	Diverter	Brass
24	Diverter Nut	Brass
25	Spanner	Plastic

Designed for residential, commercial or industrial use with water or a glycol mixture. Captures ferrous debris from system, thereby protecting components and maintaining system efficiency. Isolation valves streamline future service. All measurements are in inches unless otherwise noted.

ITEM#	Connection Type	SIZE (in)	Pressure Rating	Max Temp	A
H-72713	FIP	3/4	175 PSI CWP	250 F	12.96
H-72714	FIP	1	175 PSI CWP	250 F	13.08
H-74713	MIP	3/4	175 PSI CWP	250 F	13.28
H-74714	MIP	1	175 PSI CWP	250 F	13.36
H-75713	SWT	3/4	175 PSI CWP	250 F	13.24
H-75714	SWT	1	175 PSI CWP	250 F	13.58
H-78713	Press	3/4	175 PSI CWP	250 F	14.82
H-78714	Press	1	175 PSI CWP	250 F	14.82

