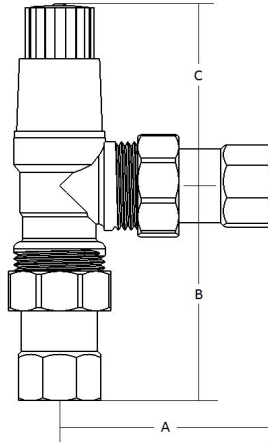


## 7050A Series

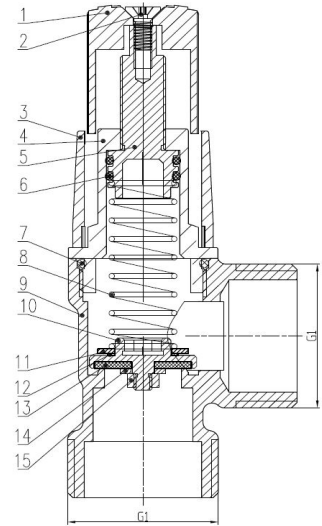
Forged Brass Angled Differential Pressure By-Pass Valve  
Opening Differential Pressure Setting Adjustable from 1.5 to 9 PSI



NO.	DESCRIPTION	MATERIAL
1	Screw	Stainless Steel
2	Handle	Plastic
3	Stem	Brass
4	Bonnet	Brass
5	Position Locking Cap	Plastic
6	O-Ring	Rubber
7	Spring	Stainless Steel
8	O-Ring	Rubber
9	Body	Brass
10	Sealed Cap	Brass
11	Copper Backing	Copper
12	Gasket	PTFE
13	Gasket	Rubber
14	Gasket	Stainless Steel
15	Nut	Stainless Steel

Designed for residential, commercial or industrial use with water or a glycol mixture.

ITEM#	Connection Type	SIZE (in)	Pressure Rating	Max Temp	A	B	C	GPM
H-72533-A	MIP	3/4	145 PSI CWP	230 F	3.01	3.15	3	9
H-72544-A	MIP	1	145 PSI CWP	230 F	3.21	3.21	3	18
H-74533-A	FIP	3/4	145 PSI CWP	230 F	3.17	3.31	3	9
H-74544-A	FIP	1	145 PSI CWP	230 F	3.35	3.35	3	18
H-75533-A	SWT	3/4	145 PSI CWP	230 F	3.15	3.29	3	9
H-75544-A	SWT	1	145 PSI CWP	230 F	3.46	3.46	3	18
H-78533-A	Press	3/4	145 PSI CWP	230 F	3.94	4.08	3	9
H-78544-A	Press	1	145 PSI CWP	230 F	4.08	4.08	3	18



Hydraulic characteristics

A = The opening differential pressure setting

ΔP = Differential pressure

