



7-G234W Series

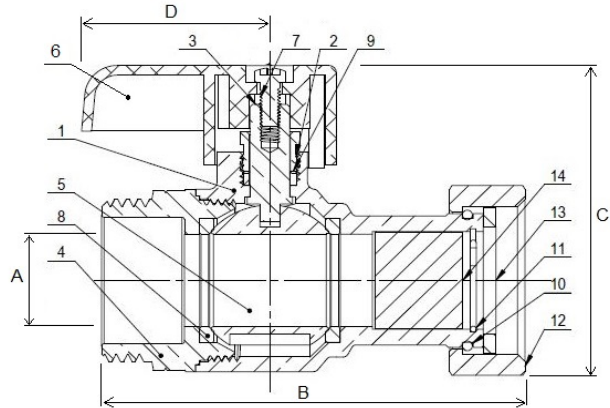
Isolation Ball Valve
Full Port Forged DZR Brass Valve
w/ Integral Check Valve

Certifications

Certified to NSF/ANSI 61 & 372
Lead Free



NO.	DESCRIPTION	MATERIAL
1	Body	Brass
2	Packing Gland	Brass
3	Stem	Brass
4	End Cap	Brass
5	Ball	Brass HCP
6	Handle	Enamel Coated Aluminum
7	Handle Screw	Stainless Steel
8	Seats	PTFE
9	Stem Seal	PTFE
10	Ring	Stainless Steel
11	Check Valve Clip	Stainless Steel
12	Union Nut	Brass
13	Gasket	EPDM
14	Check Valve	Plastic w/ EPDM & Stainless Steel



Designed for residential, commercial or industrial use with water or a glycol mixture. This approved Webstone valve is actuated by a blowout proof stem and features an adjustable packing nut.

*No Check Valve

ITEM#	Description	Connection Type	SIZE (in)	Pressure Rating	A	B	C	D
* H-7-G134WY	G1 UNION BALL VALVE YELLOW	G1 Union x G1 Thread	1	150 PSI	0.75	3.38	2.63	1.50
H-7-G234WR	G1 UNION BALL VALVE W/CHECK RED	G1 Union x G1 Thread	1	150 PSI	0.75	3.38	2.63	1.50
H-7-G234WB	G1 UNION BALL VALVE W/CHECK BLUE	G1 Union x G1 Thread	1	150 PSI	0.75	3.38	2.63	1.50