

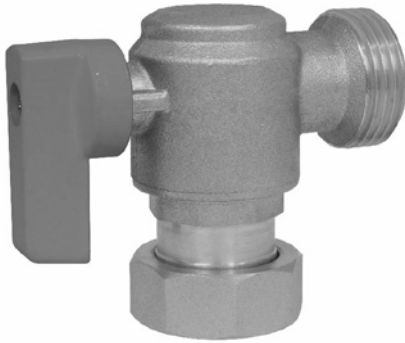


## 7-G234W-A Series

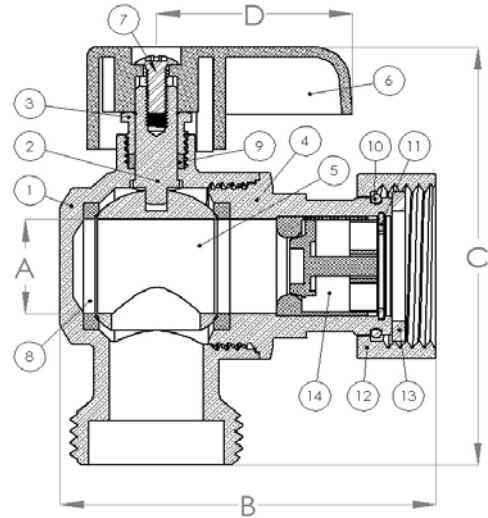
Angled Isolation Ball Valve  
Full Port Forged DZR Brass Valve  
w/ Integral Check Valve

### Certifications

Certified to NSF/ANSI 61 & 372  
Lead Free



NO.	DESCRIPTION	MATERIAL
1	Body	Brass
2	Stem	Brass
3	Packing Gland	Brass
4	End Cap	Brass
5	Ball	Brass HCP
6	Handle	Enamel Coated Aluminum
7	Handle Screw	Stainless Steel
8	Seats	PTFE
9	Stem Seal	PTFE
10	Ring	Stainless Steel
11	Check Valve Clip	Stainless Steel
12	Union Nut	Brass
13	Gasket	EPDM
14	Check Valve	Plastic w/ EPDM & Stainless Steel



Designed for residential, commercial or industrial use with water or a glycol mixture.

\*No Check Valves

ITEM#	Description	Connection Type	SIZE (OD-in)	Pressure Rating	A	B	C	D
H-7-G234WR-A	G1 ANG LF BR BV w/ CHECK & RED HANDLE	G1 Union x G1 Thread	1	150 PSI	0.75	2.84	3.38	1.50
H-7-G234WB-A	G1 ANG LF BR BV w/ CHECK & BLUE HANDLE	G1 Union x G1 Thread	1	150 PSI	0.75	2.84	3.38	1.50
* H-7-G134WY-A	G1 ANG LF BR BV w/ YELLOW HANDLE	G1 Union x G1 Thread	1	150 PSI	0.75	2.84	3.38	1.50
* H-7-G144W-A	G1 Union Elbow	G1 Union x G1 Thread	1	150 PSI	0.75	2.84	2.05	



WARNING: Cancer and Reproductive Harm. [www.P65Warnings.ca.gov](http://www.P65Warnings.ca.gov)  
7-G234W SpecFile.xlsmSpec\_10/3/2018