

THIS SPACE FOR DESIGNER/ENGINEER APPROVAL

Job/Customer _____	Date _____	Contractor _____
Model Specified _____	Qty _____	Approved By _____
Designer/Engineer _____	Date _____	Contractor's PO# _____
Submitted By _____	Date _____	Other _____

5470 Series
Full Port Forged Brass Ball Valves
CxC
600 WOG / 150 WSP
ISO 9001

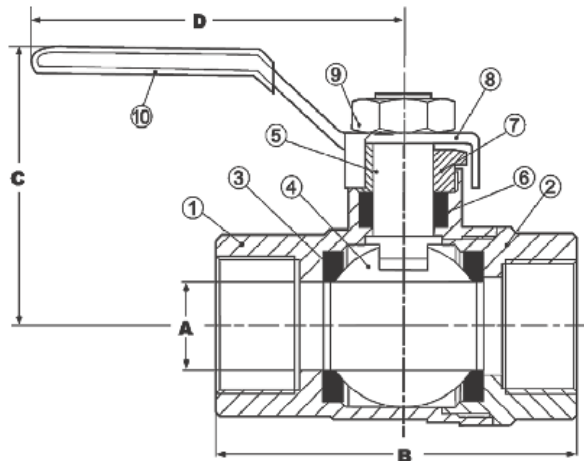
ITEM #	SIZE	CTN	CASE	A	B	C	D	Cv
54702	1/2"	10	100	1/2	2 3/16	1 13/16	3 1/2	11.5
54705	1 1/4"	4	36	1 1/4	4 1/16	2 5/8	5 1/2	114.0
54706	1 1/2"	2	24	1 1/2	4 5/16	3	5 1/2	161.3
54707	2"	2	12	2	5 5/16	3 5/16	5 3/4	248.6



Complies w/
NSF/ANSI 61-8

NO	DESCRIPTION	MATERIAL
1	BODY	BRASS
2	END CAP	BRASS
3	SEAT	PTFE
4	BALL	BRASS HCP
5	STEM	BRASS
6	STEM SEAL	PTFE
7	PACKING GLAND	BRASS
8	HANDLE	STEEL CP
9	HANDLE NUT	STEEL CP
10	HANDLE JACKET	VINYL

TEMP °F	WOG
100	600
150	485
200	395
250	210
300	N/A
350	N/A
366	N/A



Specifications: Designed for residential, commercial or industrial use with water, oil or gas (not recommended for use with flammable gas). This approved Webstone valve is actuated by a blowout proof stem and features an adjustable packing gland. Solder joint temperature ratings are per ASME B16.18 Annex A for 95-5 solder. Other solder materials have lower pressure/temperature limits. Do not silver braze or overheat valves when soldering.



Quality and Commitment Since 1954

www.webstonevalves.com · P: (800) 225-9529 · F: (800) 336-5133

Webstone product specifications in U.S. customary units are approximate and are provided for reference only. Webstone reserves the right to change or modify product design, construction, specifications or materials without prior notice and without incurring any obligation to make such changes and modifications on Webstone products previously or subsequently sold.