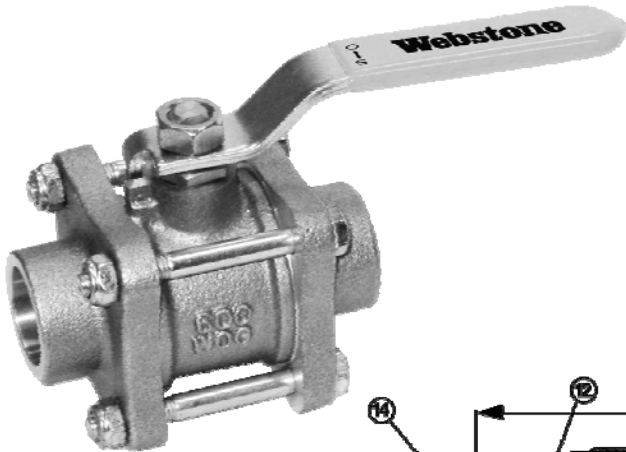


THIS SPACE FOR DESIGNER/ENGINEER APPROVAL

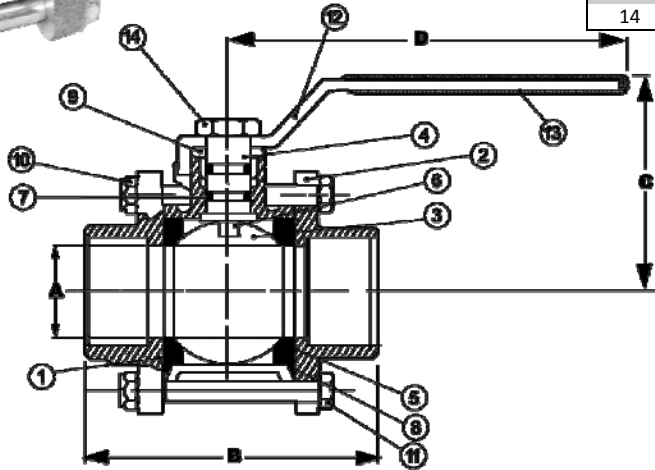
Job/Customer _____	Date _____	Contractor _____
Model Specified _____	Qty _____	Approved By _____
Designer/Engineer _____	Date _____	Contractor's PO# _____
Submitted By _____	Date _____	Other _____

5350 Series
Full Port B62 Bronze Ball Valves
3 Piece Design w/ 304 Stainless Steel Handle
CxC
600 WOG / 150 WSP
ISO 9001

ITEM #	SIZE	CTN	CASE	A	B	C	D	Cv
53502	1/2"	5	50	1/2	2 1/2	1 3/4	3 7/8	11.5
53503	3/4"	6	36	3/4	3 1/16	2	3 7/8	27.0
53504	1"	4	24	1	3 1/2	2 5/8	4 3/4	49.3
53505	1 1/4"	3	18	1 1/4	4 1/8	2 3/4	4 3/4	114.0
53506	1 1/2"	2	12	1 1/2	4 1/2	3 1/4	6	161.3
53507	2"	2	8	2	5 7/8	3 3/4	6	248.6



NO.	DESCRIPTION	MATERIAL
1	BODY	BRONZE ASTM B62 (85-5-5-5)
2	END CAP	BRONZE ASTM B62 (85-5-5-5)
3	BALL	BRASS HCP
4	STEM	BRASS
5	SEAT	PTFE
6	THRUST WASHER	PTFE
7	O-RING	NBR
8	O-RING	NBR
9	GLAND	BRASS
10	CAP NUT	STEEL
11	CAP BOLT	STEEL
12	LEVER HANDLE	STAINLESS STEEL 304
13	HANDLE GRIP	VINYL
14	HANDLE NUT	BRASS



TEMP °F	PSI
100	600
150	485
200	395
250	210
300	N/A
350	N/A
366	N/A

Specifications: Designed for a broad range of fluid handling applications. This approved Webstone valve is actuated by a blowout proof stem. Solder joint temperature ratings are per ASME B16.18 Annex A for 95-5 solder. Other solder materials have lower pressure/temperature limits. Do not silver braze or over heat valves when soldering.



Quality and Commitment Since 1954

Tel: (800) 225-9529 • Fax (800) 336-5133

Webstone product specifications in U.S. customary units are approximate and are provided for reference only. Webstone reserves the right to change or modify product design, construction, specifications or materials without prior notice and without incurring any obligation to make such changes and modifications on Webstone products previously or subsequently sold.