

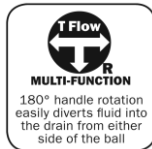
THIS SPACE FOR DESIGNER/ENGINEER APPROVAL

| | | |
|-------------------------|------------|------------------------|
| Job/Customer _____ | Date _____ | Contractor _____ |
| Model Specified _____ | Qty _____ | Approved By _____ |
| Designer/Engineer _____ | Date _____ | Contractor's PO# _____ |
| Submitted by _____ | Date _____ | Other _____ |

5141HV-RF Series
Full Port Forged Brass Uni-Flange Ball Valves
w/ Detachable Rotating Round Flange
Multi-Function Hi-Flow Hose Drain
Adjustable Packing Gland, Nuts & Bolts
Fits High Efficiency Variable Speed Pumps
SWT x Rotating Flange
600 WOG
ISO 9001 - Patented Technology



| ITEM # | SIZE | CTN | Case | A | B | C | D | E | F | G | H | I | J | K | L |
|---------------|-------|-----|------|-------|-------|-------|-------|------|------|-------|-------|-------|---------|-------|----------------|
| 51416HV-RF375 | 1 1/2 | 1 | 6 | 1 1/2 | 4 3/8 | 3 3/8 | 3 3/8 | 7/16 | 5/8 | 1 1/2 | 3 7/8 | 5 | 2 11/16 | 5/8 | 1/2-13 x 2 1/4 |
| 51417HV-RF400 | 2 | 1 | 6 | 2 | 5 | 3 1/2 | 3 3/8 | 1/2 | 9/16 | 2 | 4 | 5 1/4 | - | - | 1/2-13 x 2 1/4 |
| 51417HV-RF475 | 2 | 1 | 6 | 2 | 5 | 3 1/2 | 3 3/8 | 7/16 | - | 2 | - | 6 1/8 | 4 | 13/16 | 5/8-11 x 2 1/4 |



| NO. | DESCRIPTION | MATERIAL |
|-----|----------------------|-----------------------|
| 1 | FLANGED BODY | BRASS |
| 2 | END CAP | BRASS |
| 3 | SEATS | PTFE |
| 4 | BALL | BRASS HCP |
| 5 | STEM | BRASS |
| 6 | STEM SEAL | PTFE |
| 7 | PACKING GLAND | BRASS |
| 8 | LEVER HANDLE | STEEL CP |
| 9 | HANDLE NUT | STAINLESS STEEL |
| 10 | HANDLE JACKET | VINYL |
| 11 | ROTATING FLANGE | DUCTILE IRON |
| 12 | ROTATING FLANGE RING | STAINLESS STEEL |
| 13 | FLANGE BOLTS & NUTS | STEEL ZP |
| 14 | DRAIN SEATS | PTFE |
| 15 | DRAIN BALL | BRASS CP |
| 16 | DRAIN STEM | BRASS |
| 17 | DRAIN END CAP | BRASS |
| 18 | DRAIN HANDLE | EPOXY COATED ALUMINUM |
| 19 | STEM SEAL | PTFE |
| 20 | PACKING GLAND | PTFE |
| 21 | SCREW | STAINLESS STEEL |
| 22 | CAP | BRASS |
| 23 | STRAP | PVC |

| TEMP °F | PSI |
|---------|-----|
| 100 | 600 |
| 150 | 485 |
| 200 | 395 |
| 250 | 210 |
| 300 | N/A |
| 350 | N/A |
| 366 | N/A |



Quality and Commitment Since 1954

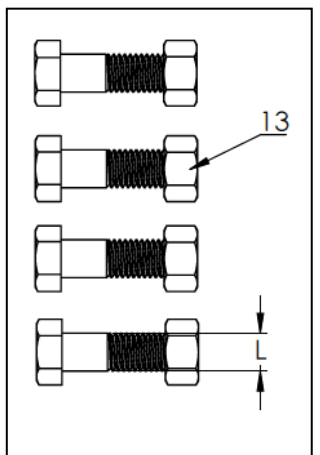
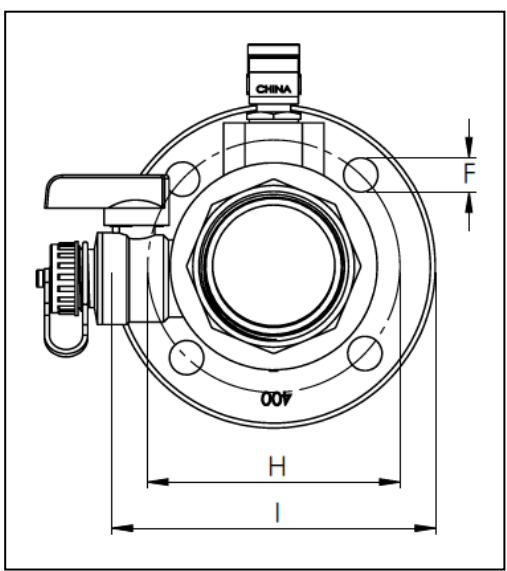
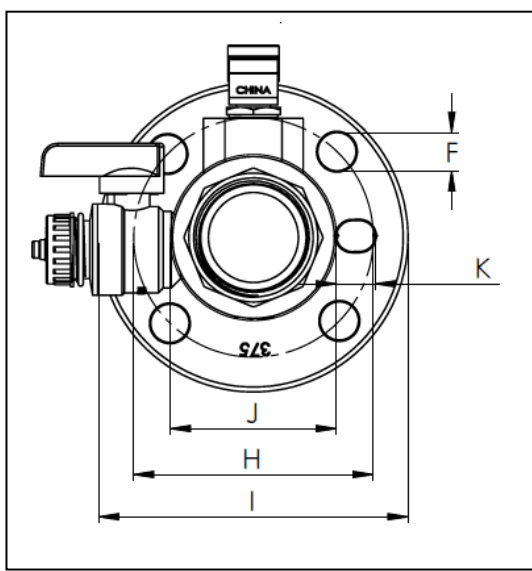
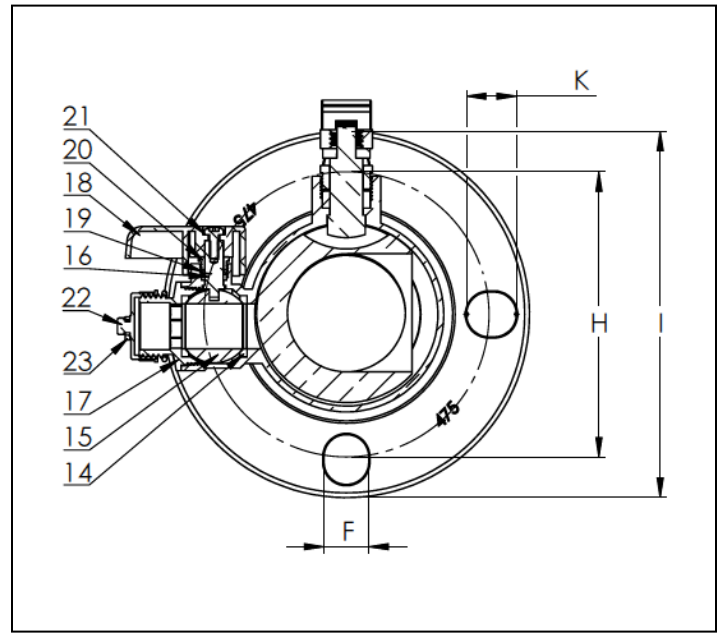
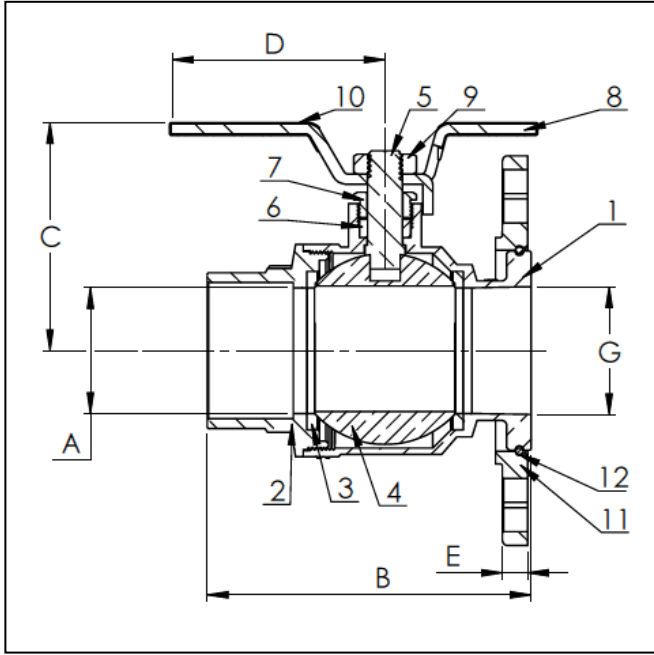
www.webstonevalves.com · P: (800) 225-9529 · F: (800) 336-5133

Webstone product specifications in U.S. customary units are approximate and are provided for reference only. Webstone reserves the right to change or modify product design, construction, specifications or materials without prior notice and without incurring any obligation to make such changes and modifications on Webstone products previously or subsequently sold.

5141HV-RF-spec_03302016

THIS SPACE FOR DESIGNER/ENGINEER APPROVAL

| | | |
|-------------------------|------------|------------------------|
| Job/Customer _____ | Date _____ | Contractor _____ |
| Model Specified _____ | Qty _____ | Approved By _____ |
| Designer/Engineer _____ | Date _____ | Contractor's PO# _____ |
| Submitted by _____ | Date _____ | Other _____ |



Specifications: Designed for residential, commercial or industrial use with water or a glycol mixture. This approved Webstone valve is actuated by a blowout proof stem and features an adjustable packing gland. Flange features a conical inlet to minimize turbulence. The rotating flange is secured by a snug-fit snap-ring that provides greater control over positioning during installation. Solder joint temperature ratings are per ASME B16.18 Annex A for 95-5 solder. Other solder materials have lower pressure temperature limits. Do not silver braze or overheat valves when soldering. HV models fit both standard and high velocity pumps.



Quality and Commitment Since 1954

www.webstonevalves.com · P: (800) 225-9529 · F: (800) 336-5133

Webstone product specifications in U.S. customary units are approximate and are provided for reference only. Webstone reserves the right to change or modify product design, construction, specifications or materials without prior notice and without incurring any obligation to make such changes and modifications on Webstone products previously or subsequently sold.

5141HV-RF-spec_03302016