

**THIS SPACE FOR DESIGNER/ENGINEER APPROVAL**

Job/Customer _____	Date _____	Contractor _____
Model Specified _____	Qty _____	Approved By _____
Designer/Engineer _____	Date _____	Contractor's PO# _____
Submitted by _____	Date _____	Other _____

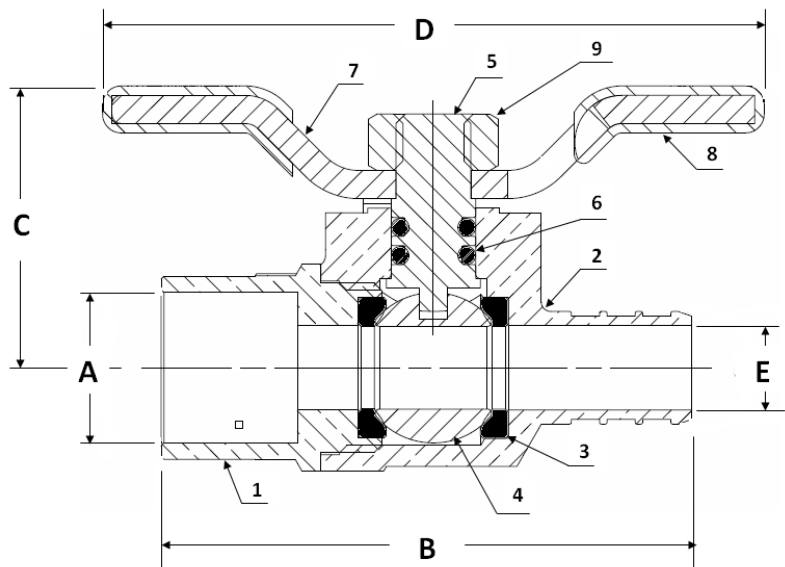
**5068 Series**  
**Full Flow Forged Brass Ball Valve**  
**w / Wing Handle**  
**SWT x ASTM F1807 PEX**  
**160 WOG**  
**ISO 9001**

ITEM #	SIZE	CTN	CASE	A	B	C	D	E
50682	1/2"	10	100	1/2	2 1/4	1 1/8	2 7/8	3/8

TEMP °F	PSI
73.4	160
180	100
200	80

PEX temperature and pressure limits  
 ASTM F876.

NO.	DESCRIPTION	MATERIAL
1	BODY	BRASS
2	END CAP	BRASS
3	SEAT	PTFE
4	BALL	BRASS HCP
5	STEM	BRASS
6	STEM SEAL	RUBBER
7	HANDLE	STELL CP
8	HANDLE JACKET	VINYL
9	HANDLE NUT	STEEL CP



**Specifications:** Designed for residential, commercial or industrial use with water, oil or gas. This approved Webstone valve is actuated by a blowout proof stem. Solder joint temperature ratings are per ASME B16.18 Annex A for 95-5 solder. Other solder materials have lower pressure/temperature limits. Do not silver braze or overheat valves when soldering.



Quality and Commitment Since 1954

www.webstonevalves.com P: (800) 225-9529 F: (800) 336-5133

Webstone product specifications in U.S. customary units are approximate and are provided for reference only. Webstone reserves the right to change or modify product design, construction, specifications or materials without prior notice and without incurring any obligation to make such changes and modifications on Webstone products previously or subsequently sold.

5068spec\_102715