

THIS SPACE FOR DESIGNER/ENGINEER APPROVAL

Job/Customer _____	Date _____	Contractor _____
Model Specified _____	Qty _____	Approved By _____
Designer/Engineer _____	Date _____	Contractor's PO# _____
Submitted by _____	Date _____	Other _____

5067 Series

T-Drain™

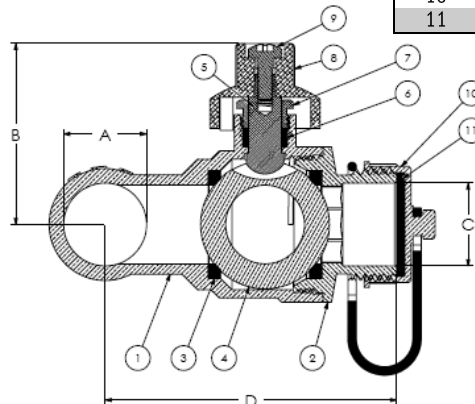
**Full Port Forged Brass Fitting
w/ Hi-Flow Hose Drain**

**CxC
600 WOG
ISO 9001**



LEAD FREE Lead free products
CLEAN BRASS are certified to
NSF/ANSI 61
& NSF/ANSI 372

STANDARD BRASS ITEM #	LEAD FREE ITEM #	SIZE	CTN (LEAD FREE QTY)	CASE (LEAD FREE QTY)	A	B	C	D
50672	50672W	1/2"	10 (8)	80	1/2	1 3/4	1/2	2 3/16
50673	50673W	3/4"	8 (6)	48	3/4	2 3/8	1/2	2 13/16
50674	50674W	1"	8 (4)	48 (40)	1	2 13/16	1/2	2 13/16
50675	50675W	1 1/4"	6 (4)	24 (40)	1 1/4	3 3/16	3/4	2 13/16
50676	50676W	1 1/2"	4 (2)	24	1 1/2	3 3/8	3/4	2 13/16
50677	50677W	2"	2	20	2	3 5/8	3/4	3 1/16



NO.	DESCRIPTION	MATERIAL
1	BODY	BRASS
2	END CAP	BRASS
3	SEAT	PTFE
4	BALL	BRASS HCP
5	STEM	BRASS
6	STEM SEAL	PTFE
7	PACKING GLAND	BRASS
8	HANDLE	ENAMEL COATED ALUMINUM
9	HANDLE SCREW	BRASS
10	CAP & STRAP	BRASS W/ PVC STRAP
11	WASHER	EPDM

TEMP °F	PSI
100	600
150	485
200	395
250	210
300	N/A
350	N/A
366	N/A

Specifications: Designed for residential, commercial or industrial use with water, oil or gas. This approved Webstone valve is actuated by a blowout proof stem and features an adjustable packing gland. Solder joint temperature ratings are per ASME B16.18 Annex A for 95-5 solder. Other solder materials have lower pressure/temperature limits. Do not silver braze or overheat valves when soldering.



Quality and Commitment Since 1954

www.webstonevalves.com · P: (800) 225-9529 · F: (800) 336-5133

Webstone product specifications in U.S. customary units are approximate and are provided for reference only. Webstone reserves the right to change or modify product design, construction, specifications or materials without prior notice and without incurring any obligation to make such changes and modifications on Webstone products previously or subsequently sold.

5067-5067WSpec_013013